



**Wedge<sup>™</sup>**  
*Acoustic  
Ceiling Baffle*





## Wedge™: Angular Sculptural Ceiling Baffles

*Sharp design. Superior acoustic control.*

Wedge ceiling baffles bring a bold architectural edge to acoustic ceiling solutions. Their clean, angular profiles cut a sharp visual statement, enhancing contemporary spaces with rhythm and depth. Engineered for maximum sound absorption, Wedge panels reduce reverberation and noise, improving room acoustics and sound

intelligibility while serving as eye-catching ceiling features. Ideal for upscale offices, galleries, retail, and hospitality environments, Wedge transforms ceilings into sleek, sculptural focal points that marry form and function.

## Key Features

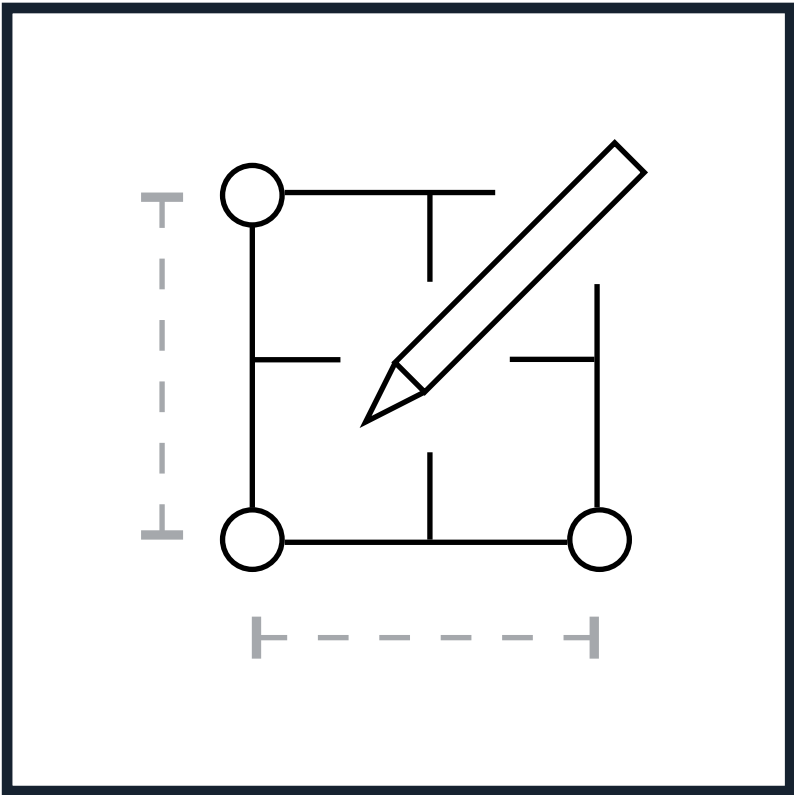
- Distinct angular blade profile for dynamic architectural effect
- High NRC acoustic performance, optimized for reverberation control
- Lightweight, modular design for flexible layouts
- Multiple sizes and depth options for customized ceiling compositions
- Available in ONNiT's standard color palette and custom color matching
- Adjustable aircraft cable suspension system
- ASTM E84 Class A fire rating
- Made with 60%+ recycled PET felt, fully recyclable



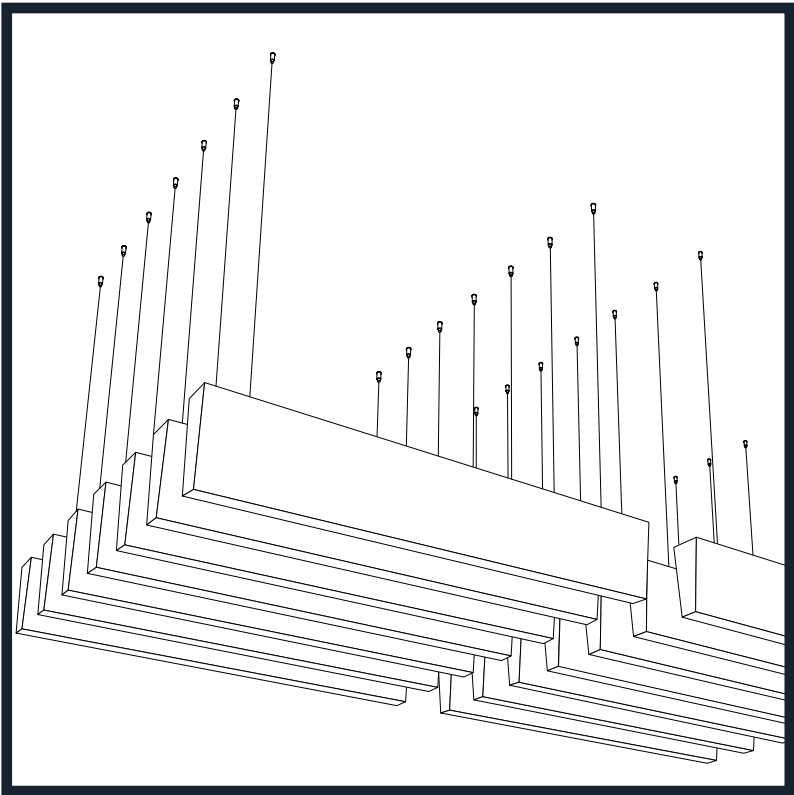
*Design Your Space*

- 1 Installation layout and quantity
- 2 Suspension height and spacing between units
- 3 Cable and bracket mounting preferences
- 4 Color selection and finish direction

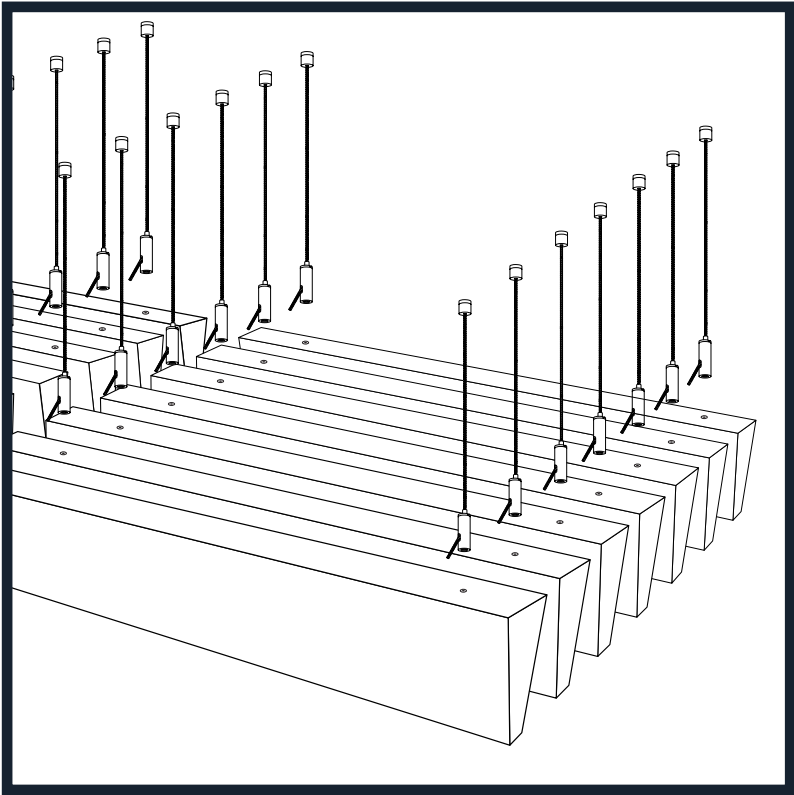
1.



2.



3.



4.



## Design Your Layout – Sharp Lines, Soft Sound

Wedge panels allow design flexibility with their striking geometry and variety of sizes. Arrange them in parallel rows, staggered clusters, or rhythmic waves to suit your space and acoustic goals.

### Collaborate with Our Design Team

Our experts guide you to the ideal layout, balancing aesthetics, ceiling height, and acoustic coverage.

### Have a Concept?

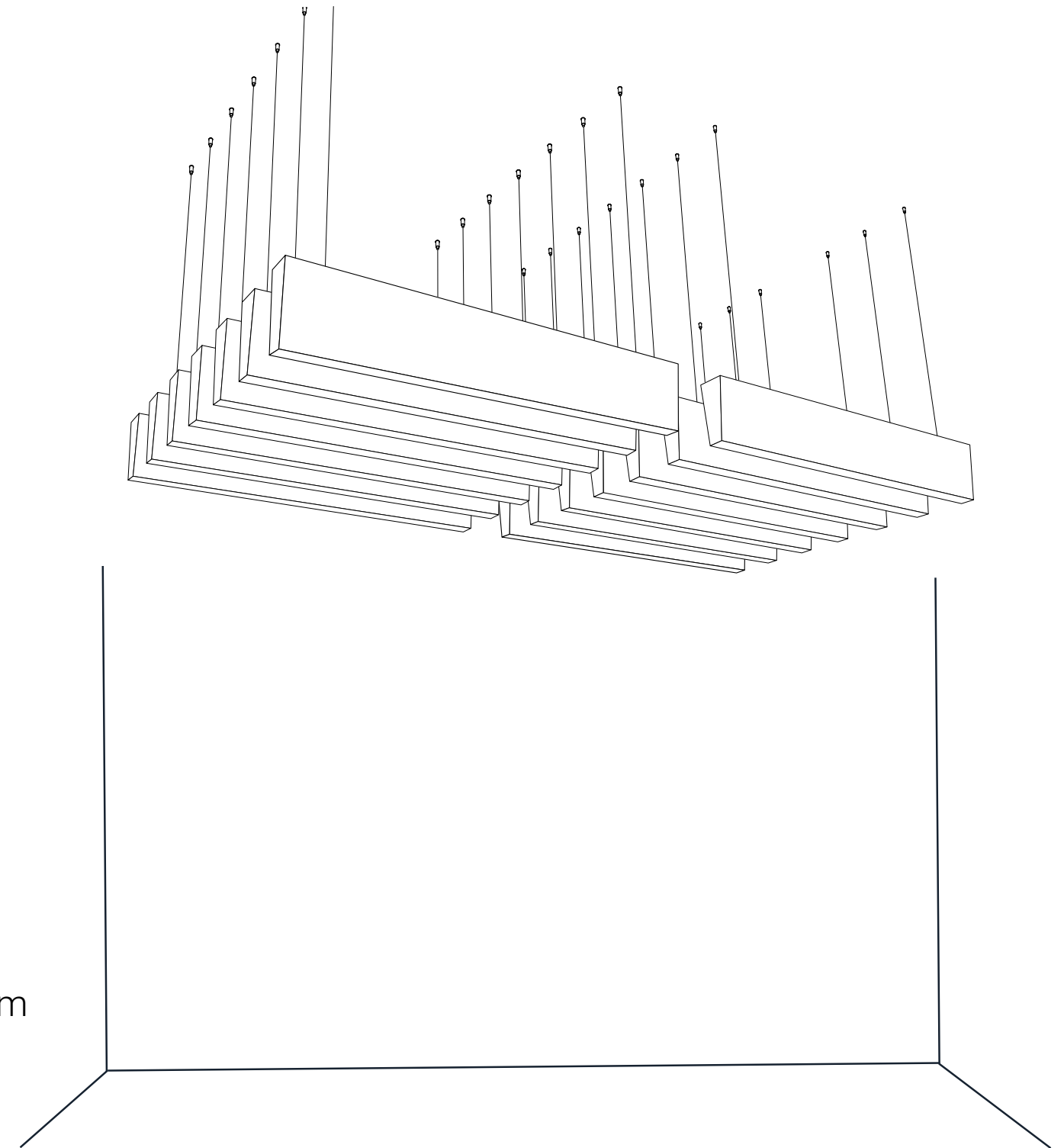
Send us your design inspiration or sketches. We'll prepare detailed plans with spacing, mounting, and finish specs.

### Helpful Information:

- Room size and ceiling height
- Desired acoustic coverage and panel quantity
- Existing ceiling obstructions
- Finish and color preferences

### Suggested Layout Styles:

- **Dense Rows:** Max acoustic absorption and bold geometry
- **Moderate Spacing (6–12”):** Balanced acoustic and visual rhythm
- **Open Spacing (12”+):** Sculptural presence with light coverage



## Mounting & Connections – Precision and Ease

Wedge installs securely with hardware designed to minimize visual distraction and maximize flexibility.

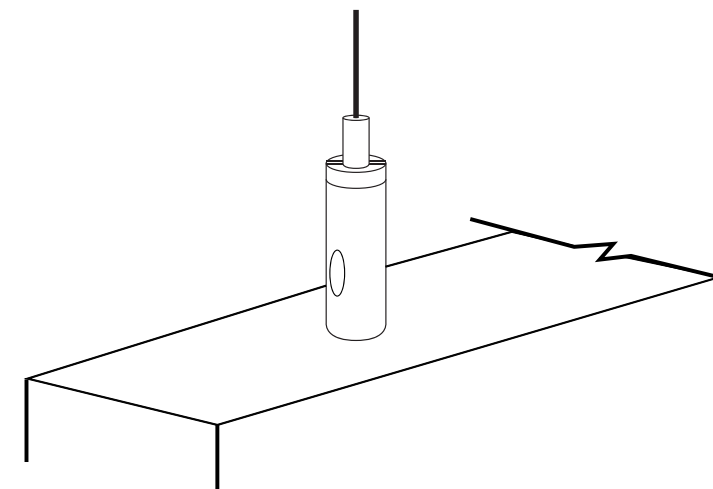
### Mounting System

- Adjustable aircraft cable suspension for varied ceiling heights
- Compatible with T-grid, slab, or drywall ceilings
- Top-mounted brackets for clean appearance
- Pre-labeled hardware kits for straightforward installation

### Installation Notes

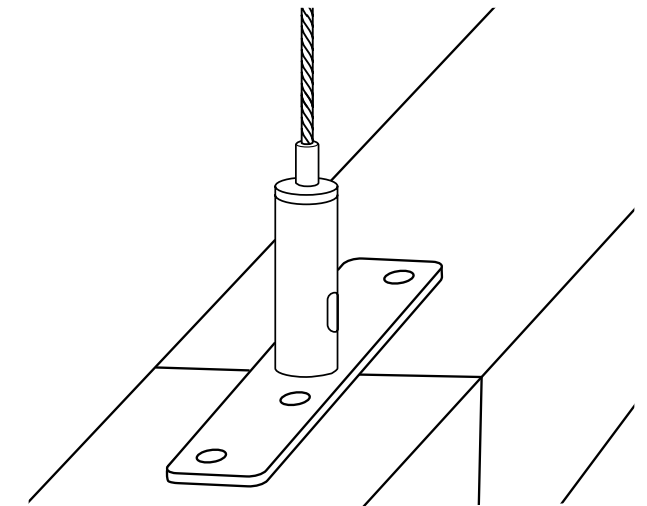
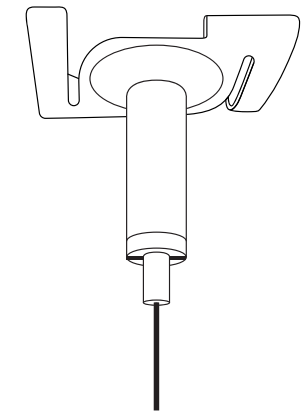
- Clearly marked hanging points
- Supports single panel or grouped configurations
- Installation guides available

*Mounting Option A*



*Plank Attachment*

*Mounting Option B*



*Joiner Plate*  
*Joiner Plate attachments available where  
attaching the panels may be required*

## Sophisticated Shades for Sharp Design

Wedge panels come in ONNiT's broad color spectrum, from subtle neutrals to vibrant accents, allowing seamless integration or bold contrast in interiors.



Sea Salt



Smokey White



Silver Marble



Buckskin



Apple Red



Cranberry



Forest Green



Pacific Blue



Dark Buckskin



Sea Spray



Dark Marble



Coffee



Amethyst



Pear Green



Admiral Blue



Blue Jay



Arizona Sun



Elephant Grey



Aquatic Blue



Lime Green



Arctic Seal



Emerald Green



Azure



Night Blue



Orange Peel



Graphite



Shadow



Jet Black



Black Green



Aruba Blue



Baby Blue



Ash Grey

Custom color matching available on request

# Dimensions and Specifications

ATTRIBUTE	DETAIL
<b>Dimensions</b>	Common sizes: 48", 72", 96" L x 3"-12" W x 10" H
<b>Material</b>	PET felt, 9mm thickness
<b>Finish Options</b>	ONNiT Standard Color Palette + custom color matching
<b>Mounting</b>	Aircraft cable suspension system
<b>Weight</b>	Approx. 1.3-1.6 lb per sq. ft.
<b>NRC Rating</b>	Up to 1.00 (dependent on configuration)
<b>Fire Rating</b>	ASTM E84 Class A
<b>Sustainability</b>	75% recycled content, fully recyclable



## Use Cases



Art galleries and museums



Boutique retail & showrooms



Hotels & upscale restaurants



Executive offices and conference rooms



Educational spaces with modern design

## *Sustainability + Compliance*

- Constructed with 75% recycled PET felt
- Made with Certified OEKO-TEX® and Global Recycled Standard (GRS)
- Low VOC emissions, formaldehyde-free
- LEED credit eligible in MR and EQ categories





## *Acoustic Testing Data*

- NRC values range from 0.65–1.00
- Independent testing (Intertek)
- Based on full-module and multi-module installations



info@onnitsystems.com

(801) 619-7044



*Visit our online form and  
configuration system*