



**Timber™**

*Wood-Look  
Acoustic Baffles*



## Timber™: Wood-Look Acoustic Baffles

*Natural warmth. Modern performance.*

**Timber ceiling baffles** combine the warmth of natural wood with the acoustic performance of PET felt. Designed to replicate the appearance of real timber, these lightweight panels provide exceptional sound absorption with effortless installation. Their clean, linear form adds depth and sophistication to ceilings, making them ideal for offices, hospitality, retail, and public spaces seeking both style and serenity.

## Key Features

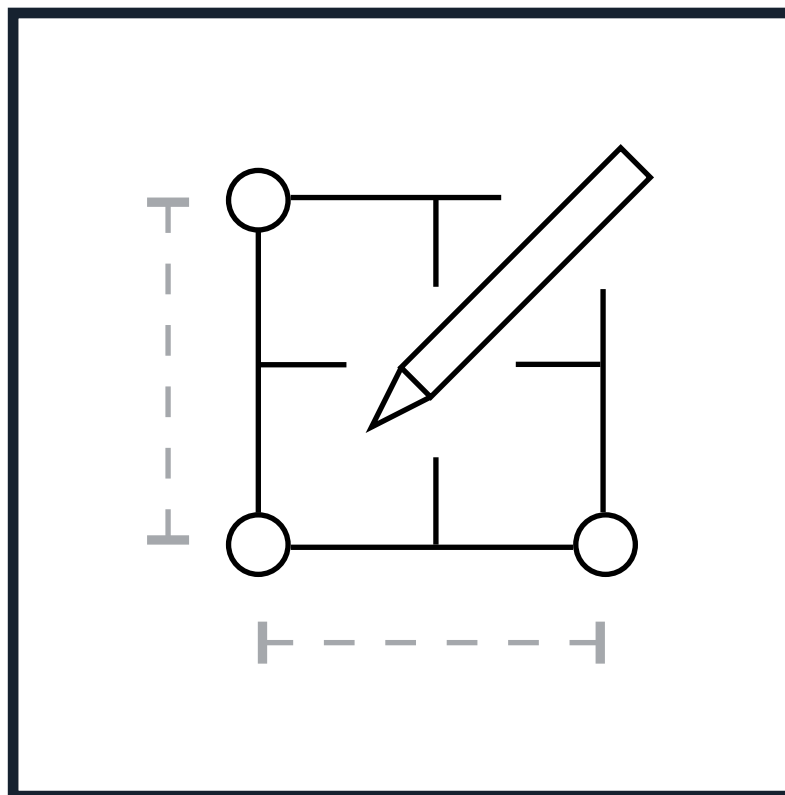
- Wood-look PET felt baffles for natural, architectural appeal
- Lightweight, modular components for easy installation
- Excellent acoustic performance (NRC rating up to 1.00)
- Multiple lengths, widths, heights, and depth options for flexible ceiling layouts
- Available in standard felt finishes and digitally printed woodgrains
- Adjustable aircraft cable suspension system
- ASTM E84 Class A fire rating
- Made from 75%+ recycled PET felt and recyclable



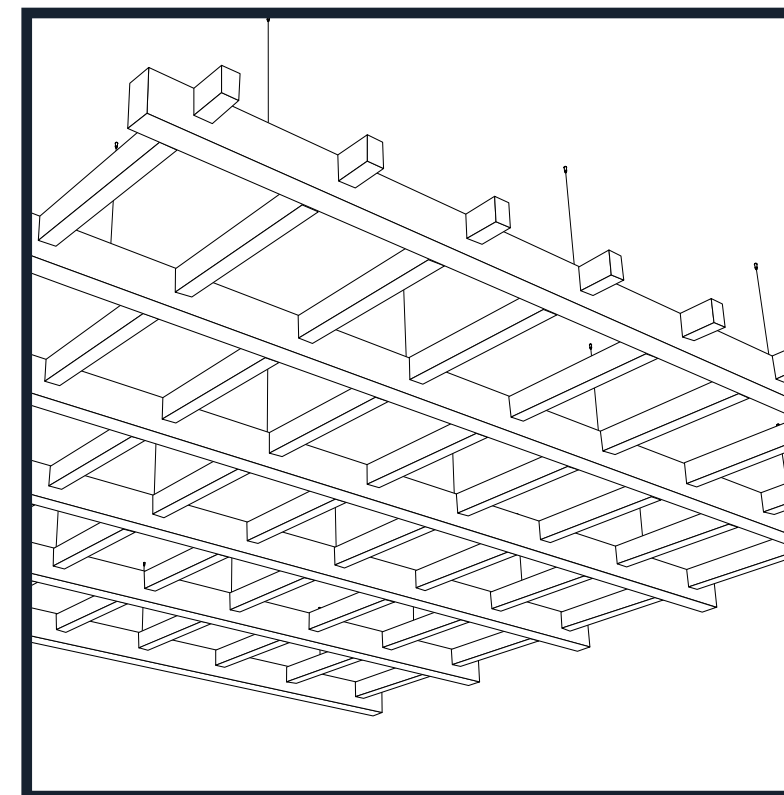
## Design Your Space

- 1 Installation layout and quantity
- 2 Suspension height and spacing between units
- 3 Cable and bracket mounting preferences
- 4 Color selection and finish direction

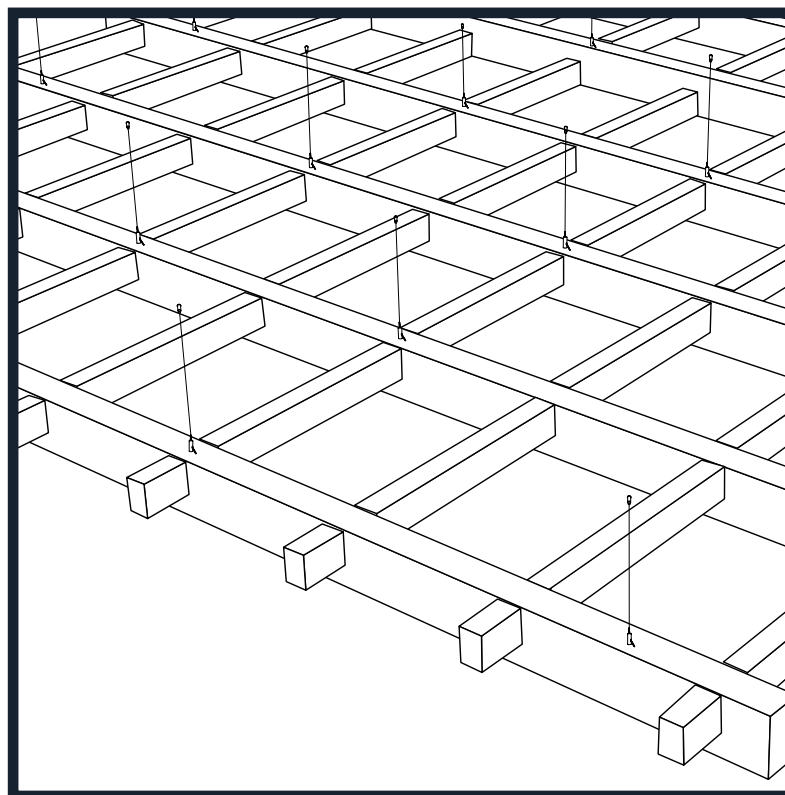
1.



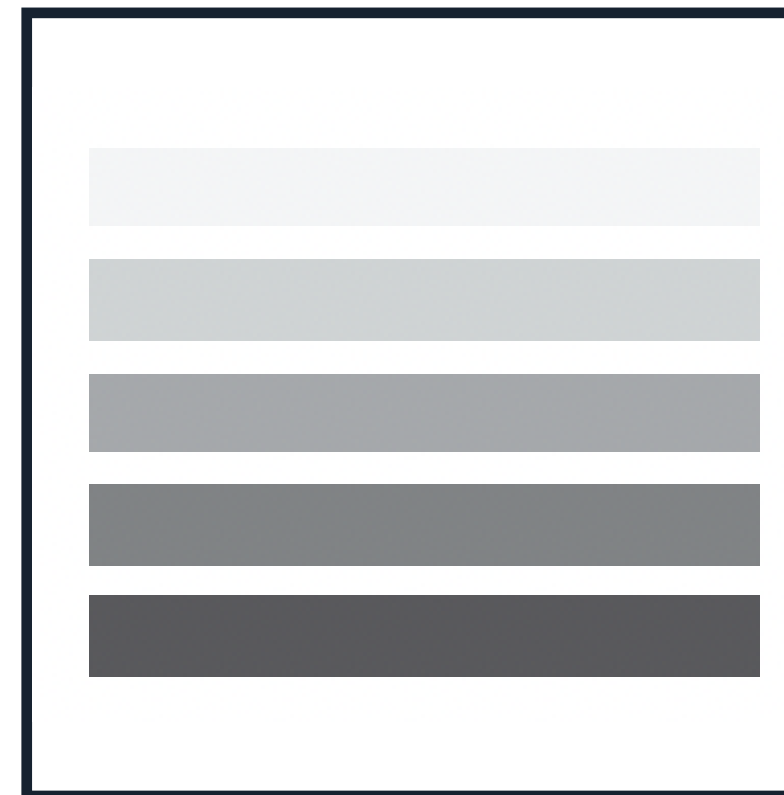
2.



3.



4.



## Design Your Layout – Bring Natural Tones to Modern Spaces

Timber baffles are available in a range of sizes and wood-like finishes, making them adaptable to a wide variety of ceiling types and interior palettes. Whether arranged in rows, clusters formations, Timber offers creative freedom with acoustic intent.

### Work With Our Design Team

Our specialists help you configure layouts based on room use, ceiling height, acoustic goals, and architectural context.

### Already Have a Vision?

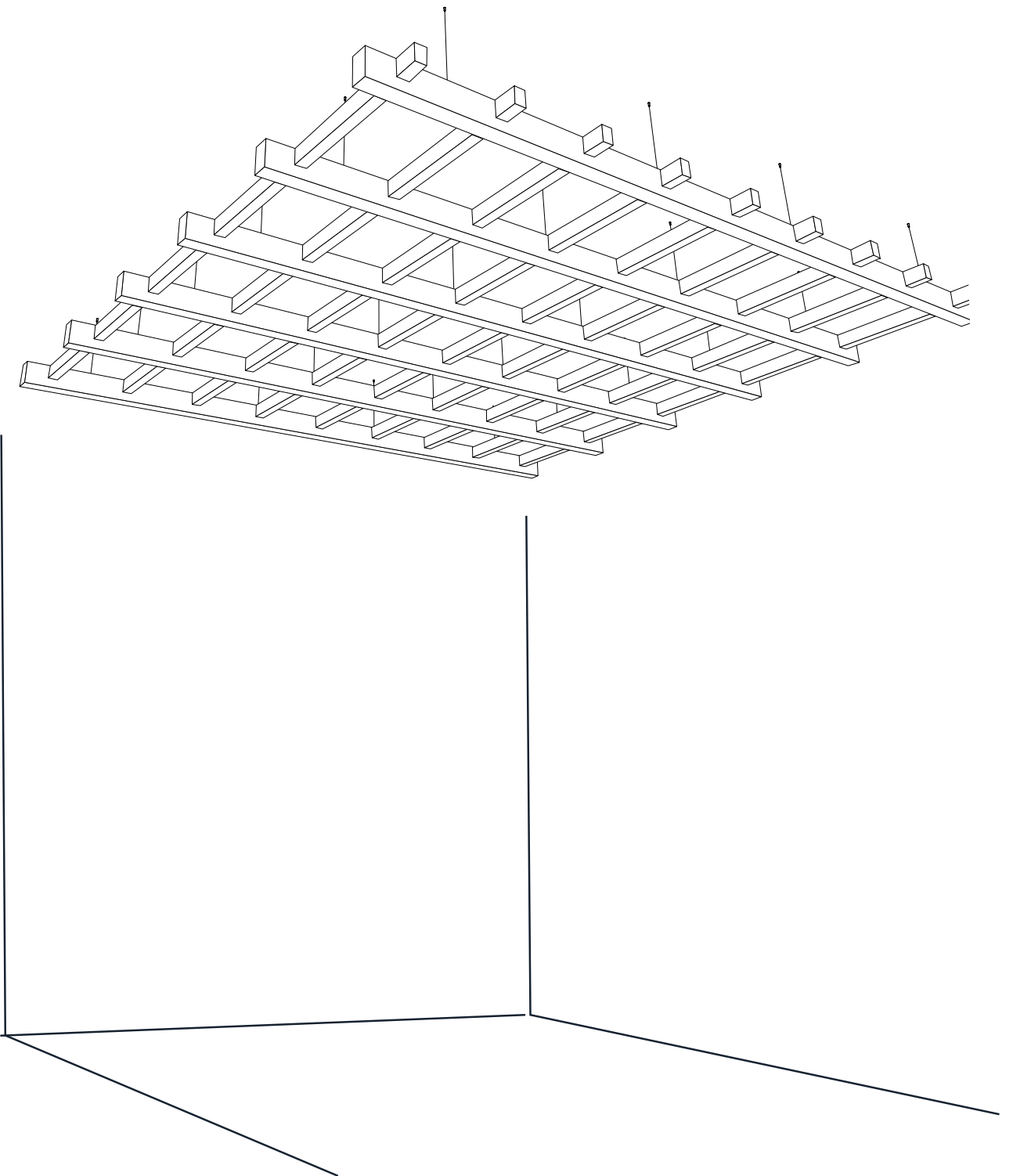
Send us your concept or photos. We'll help you with your layout plan with dimensions, spacing guides, and finish recommendations.

### Info That Helps Us Help You:

- Ceiling height and room square footage
- Preferred baffle spacing and density
- Obstructions (lights, HVAC, sprinklers)
- Desired wood tone or finish style

### Layout Ideas

- **Tight Grid: (12-18"):** Acoustic intensity + beam-like architectural structure
- **Moderate Spacing: (18-24"):** Balanced coverage and visual rhythm
- **Wide Spacing (24"+):** Light touch of wood warmth, ideal for open ceilings



## Mounting & Connections – Seamless Installation

Timber installs with streamlined hardware that keeps the focus on the finish.

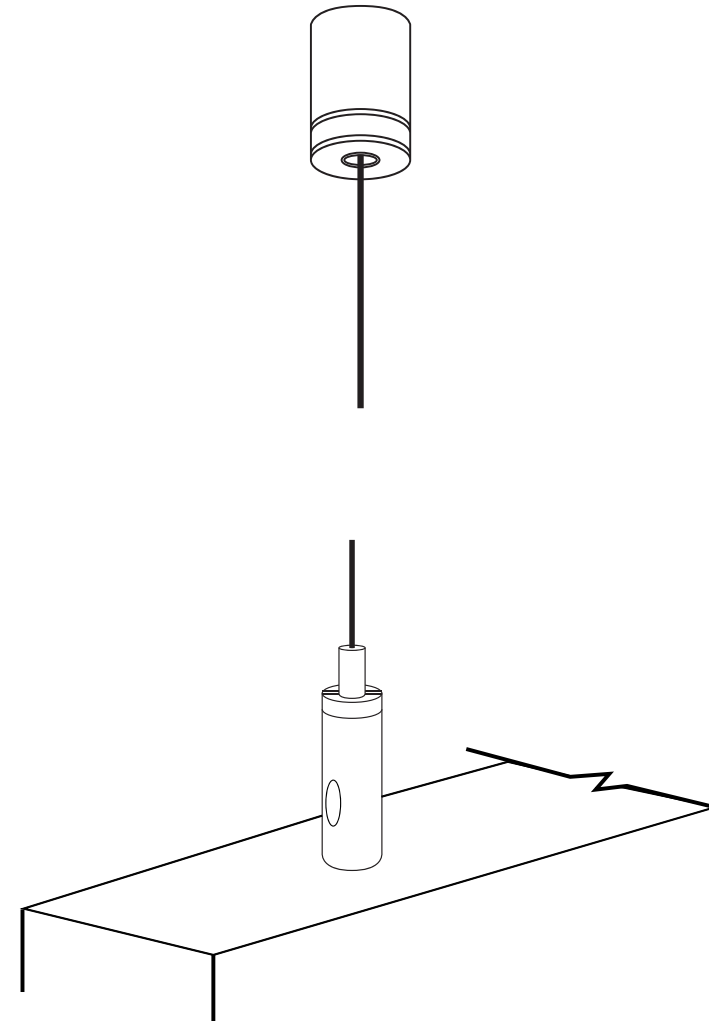
### Mounting System Features

- Aircraft cable suspension for quick & easy adjustment
- Concealed mounting for clean underside appearance
- Compatible with drywall, open to structure, and T-grid systems
- Factory labeled parts to simplify installation

### Installation Notes

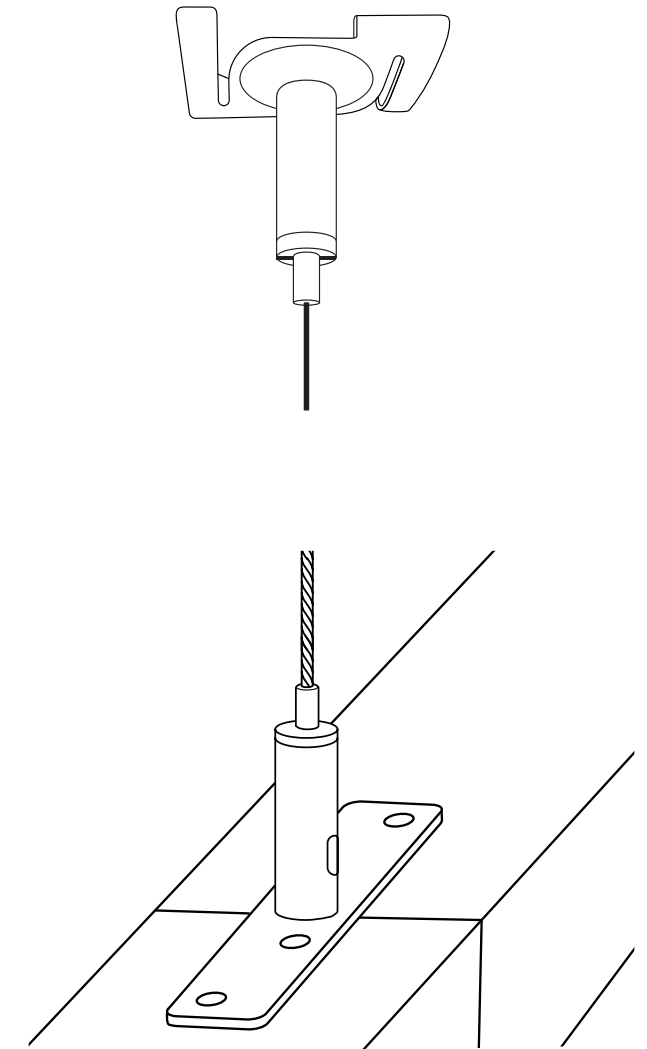
- Pre-determined mounting points for balanced suspension
- Install guides provided

Mounting Option A



Plank Attachment

Mounting Option B



Joiner Plate

Joiner Plate attachments available where attaching the panels may be required

## Natural Looks, Custom Feel

Timber is available in ONNiT's full color range, with optional digitally printed woodgrain finishes that mimic walnut, oak, maple, and other real timber species.



Sea Salt



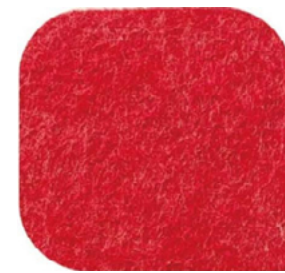
White Smoke



Silver Marble



Buckskin



Apple Red



Cranberry



Forest Green



Pacific Blue



Dark Buckskin



Sea Spray



Dark Marble



Coffee



Amethyst



Pear Green



Admiral Blue



Blue Jay



Arizona Sun



Elephant Grey



Aquatic Blue



Lime Green



Arctic Seal



Emerald Green



Azure



Night Blue



Orange Peel



Graphite



Shadow



Jet Black



Black Green



White Smoke



Baby Blue



Ash Grey

**Finish Options:** Raw felt in 30+ standard colorways | High-resolution woodgrain print overlays

# Dimensions and Specifications

ATTRIBUTE	DETAIL
Dimensions	<p><b>Standard Beam Dimensions</b>  <b>Lengths:</b> 48", 72", or 96"  <b>Widths:</b> 2", 4", 6", 10", or 12"  <b>Heights:</b> 4", 6", 10", or 12"  <b>Beam Connectors:</b> Extend to create continuous lengths</p>
Material	PET felt, 9mm thick; woodgrain printed options
Finish Options	ONNiT Standard Color Palette + printed wood textures
Mounting	Adjustable aircraft cable system
Weight	Approx. 1.2–1.5 lb per sq. ft.
NRC Rating	Up to 1.00 (configuration dependent)
Fire Rating	ASTM E84 Class A
Sustainability	Up to 75% recycled content, 100% recyclable



## Use Cases



Hotels, lounges, & hospitality



Libraries & educational facilities



Reception and lobby areas



Corporate interiors and meeting spaces



Retail ceilings for warm ambiance

## *Sustainability + Compliance*

- Constructed from PET felt with 75% recycled content
- Formaldehyde-free and low VOC
- Made with Certified OEKO-TEX® and Global Recycled Standard (GRS)
- Contributes to LEED MR and EQ credits





## *Acoustic Testing Data*

- NRC values range from 0.65–1.00
- Independent testing (Intertek)
- Based on full-module and multi-module installations



info@onnitsystems.com

(801) 619-7044



*Visit our online form and  
configuration system*