



# Tack Strip Series

*Practical Display. Durable Design.  
Acoustic Benefits.*



## ONNiT Tack Strip Series

*Practical Display. Durable Design. Acoustic Benefits.*

The ONNiT Tack Strip Series is a versatile solution for posting materials in classrooms, corridors, and collaborative spaces. Designed for daily use in high-traffic environments, these tackable PET felt strips offer a clean, modern aesthetic while contributing to acoustic absorption. Whether framing whiteboards or lining long hallways, the Tack Strip Series helps organize visual communication with clarity and durability.

## Key Features

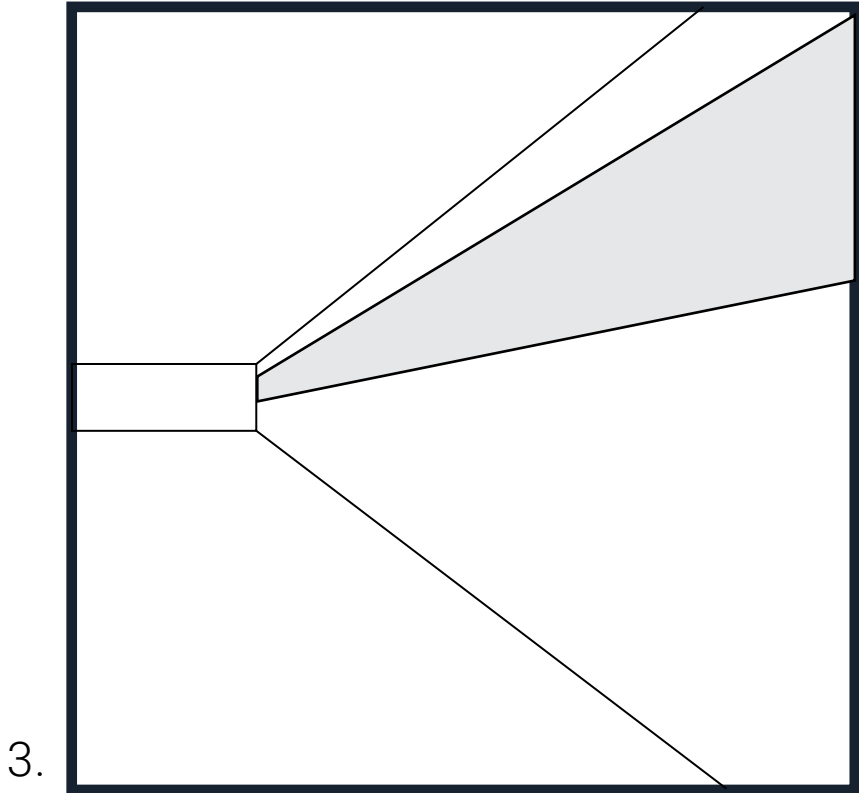
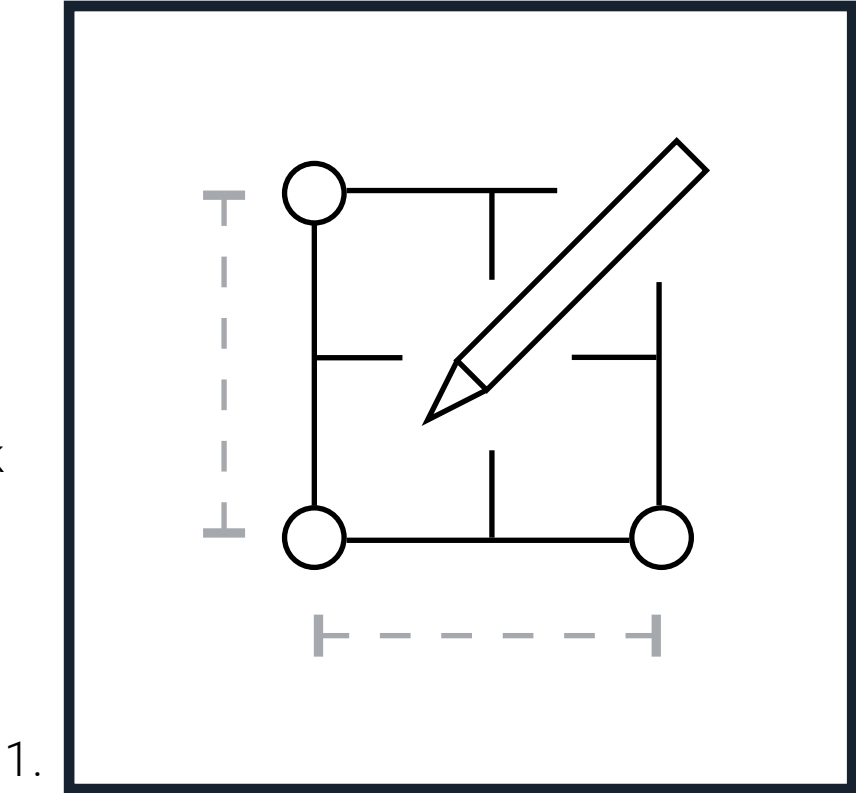
- Made from high-density acoustic PET felt
- Durable, self-healing surface holds pins, staples, and tacks
- Helps reduce ambient noise in busy environments
- Mounting options: adhesive
- Available in 32 standard colors for coordinated design
- Low-maintenance and easy to clean
- Custom lengths available



# Design Your Space

**Tailor to Your Needs. Integrate with Purpose.**  
From individual classrooms to full corridors, tack strips can be specified to match architecture, function, and finish needs.

- 1 Wall location
- 2 Color coordination with room palette
- 3 Length, height, and integration strategy



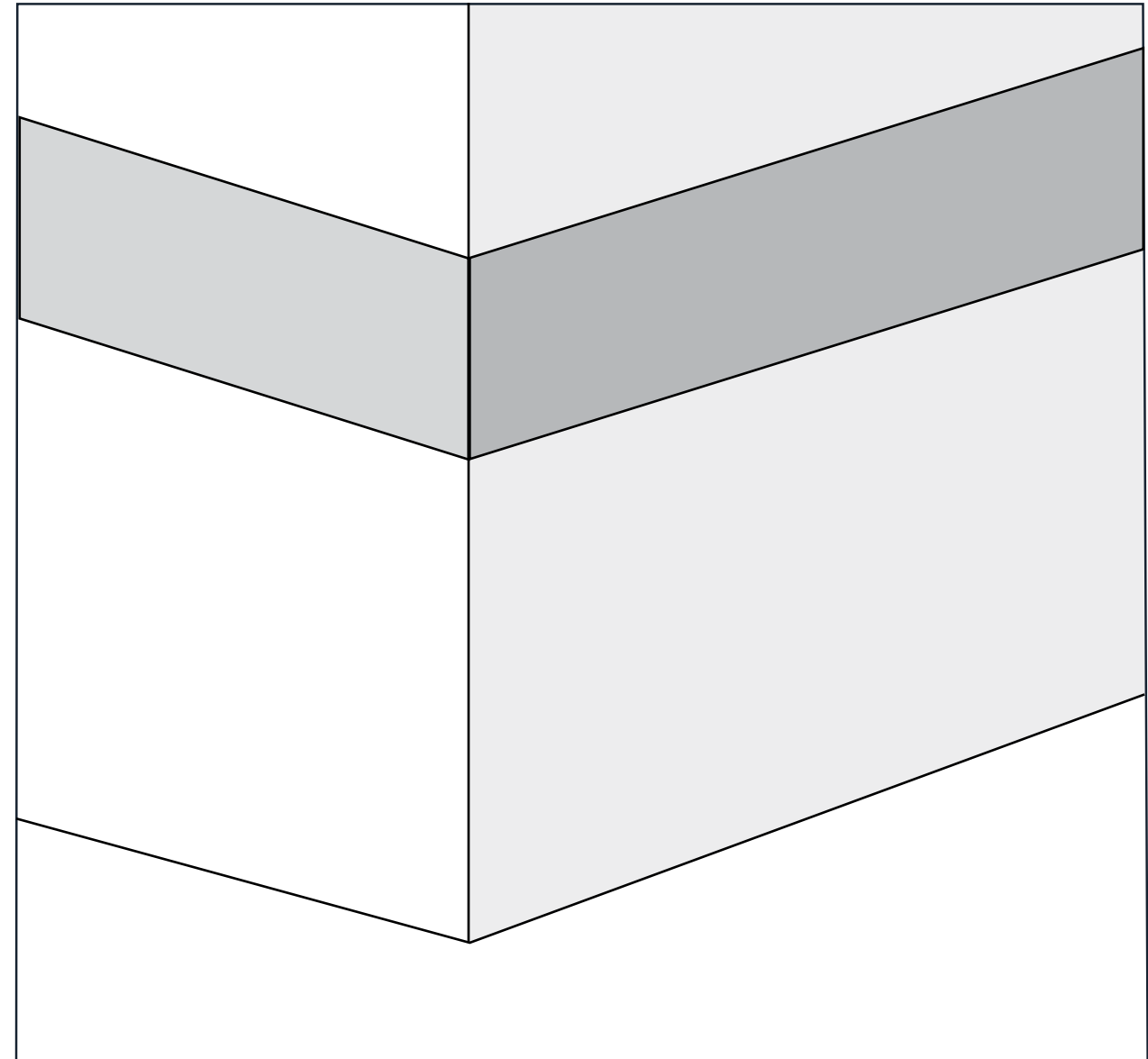
## *Installation Layout & Quantity – Easy to Plan. Easy to Scale.*

### **Step 1: Space Layout**

- Wall length and mounting height
- Classroom, hallway, or common space application

### **Step 2: Determine Quantity**

- Let our team assist in determining optimal length, placement, and material needs based on your space.
- Determine total number of pre-made outside corners





*Mounting Options – Flexible Install. Lasting Hold.*

**Mounting Options:**

- **Adhesive Mount:** Clean, hardware-free install

**Wall Surface Prep:**

- Surface must be primed or painted, clean, dry and free of dust
- Compatible with drywall surfaces, painted surfaces, wood panels, and more

## Color Selection – Simple Expression. Flexible Color.

Available in ONNiT's **32 standard felt colors** – from neutral tones to bold accents. Match existing finishes or create contrast for wayfinding and space definition.



Sea Salt



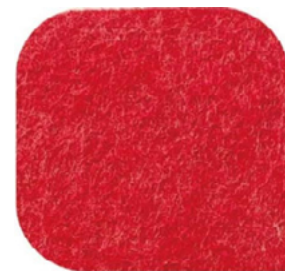
Smokey White



Silver Marble



Buckskin



Apple Red



Cranberry



Forest Green



Pacific Blue



Dark Buckskin



Sea Spray



Dark Marble



Coffee



Amethyst



Pear Green



Admiral Blue



Blue Jay



Arizona Sun



Elephant Grey



Aquatic Blue



Lime Green



Arctic Seal



Emerald Green



Azure



Night Blue



Orange Peel



Graphite



Shadow



Jet Black



Black Green



Aruba Blue



Baby Blue



Ash Grey

Custom color matching available

*Dimensions and Profile*

ATTRIBUTE	DETAIL
<b>Dimensions</b>	Standard Strip Sizes: 15" height x up to 108" length (Custom lengths available upon request)
<b>Panel Thicknesss</b>	9mm or 12mm PET felt (depending on performance needs)
<b>Etch Depth</b>	Approximately 3/16"
<b>Material Composition</b>	100% polyester (PET) felt 75% post-consumer recycled content Formaldehyde-free, low-VOC



# Use Cases



## *Sustainability + Compliance*

- 75% recycled PET content
- Made with OEKO-TEX® and Global Recycled Standard (GRS) certified materials
- Low-VOC, formaldehyde-free construction
- Resists mold, mildew, and moisture
- Contributes to LEED MR and EQ credits



## *Ordering & Customization*

- Custom sizing and colorways available
- Quick ship available for select formats and finishes
- Layout assistance and installation diagrams available upon request
- Contact ONNiT Sales for quotes or sample packs



info@onnitsystems.com

(801) 619-7044



*Visit our online form and  
configuration system*