



StratusTM

*Sculptural Grid
Ceiling Clouds*





Stratus™: Sculptural Grid Ceiling Clouds

Depth. Motion. Acoustic Performance.

Stratus ceiling clouds feature a sculptural grid design that brings depth, motion, and acoustic performance to overhead spaces. Suspended from the ceiling, each form is constructed from precision-cut PET felt fins that interlock to create a lightweight, visually dynamic structure. Ideal for boardrooms, lobbies, open offices,

and shared spaces, Stratus adds architectural interest while reducing noise and echo. With multiple sizes and color options available, Stratus offers a bold acoustic solution that feels as light as air.

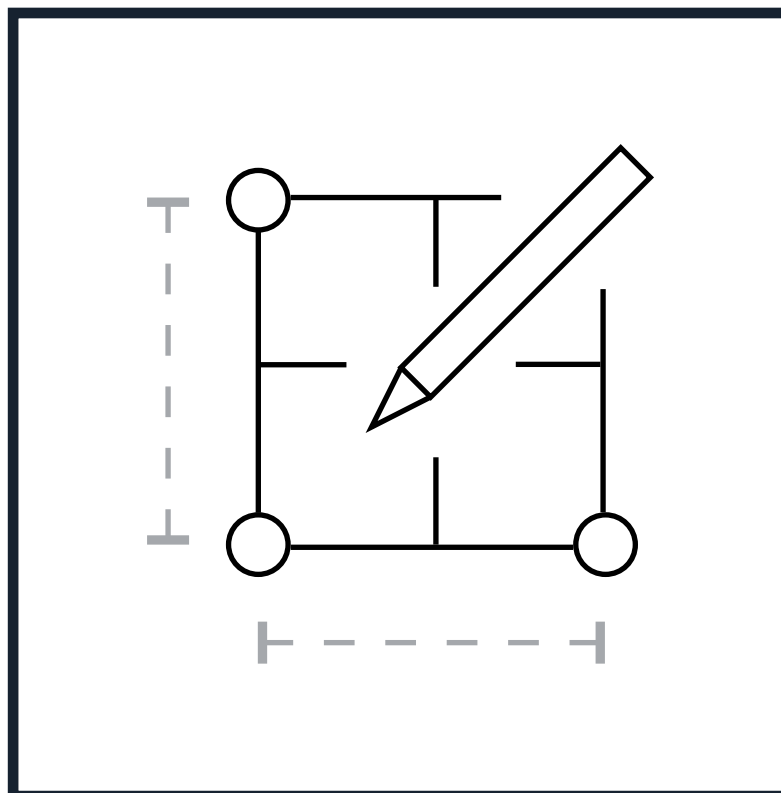
Key Features

- Sculptural grid formed from interlocking PET felt fins
- Lightweight, modular design for versatile installation
- Enhances acoustics with NRC rating up to 1.00
- Multiple size options for varied spatial needs
- Available in ONNiT's Standard Color Palette with custom options
- Adjustable aircraft cable suspension system
- ASTM E84 Class A fire rating
- Made from 60%+ recycled PET felt, recyclable material

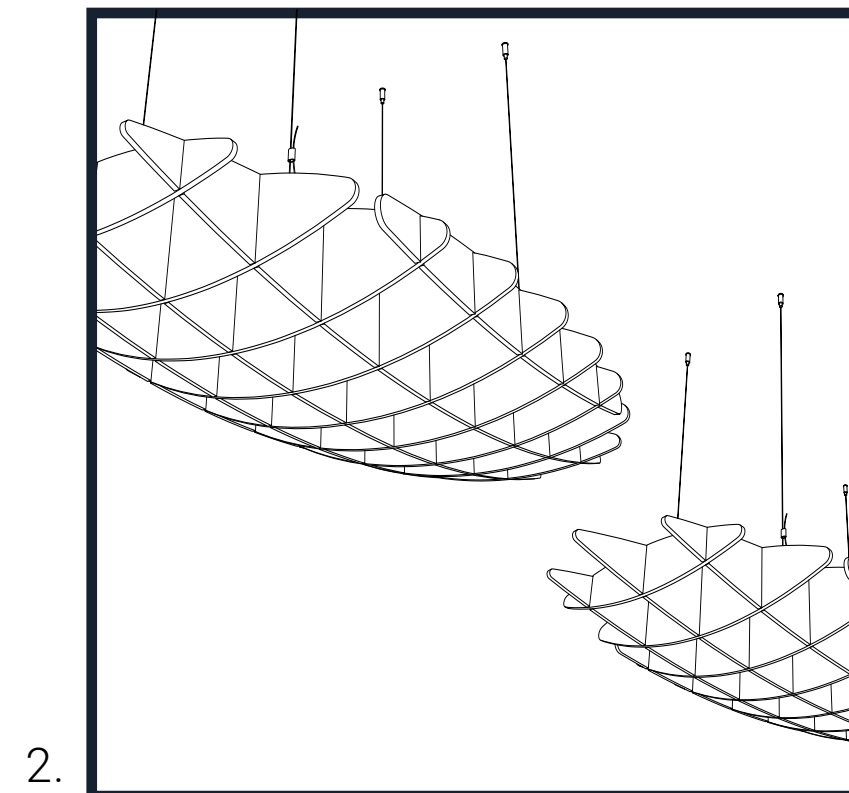


Design Your Space

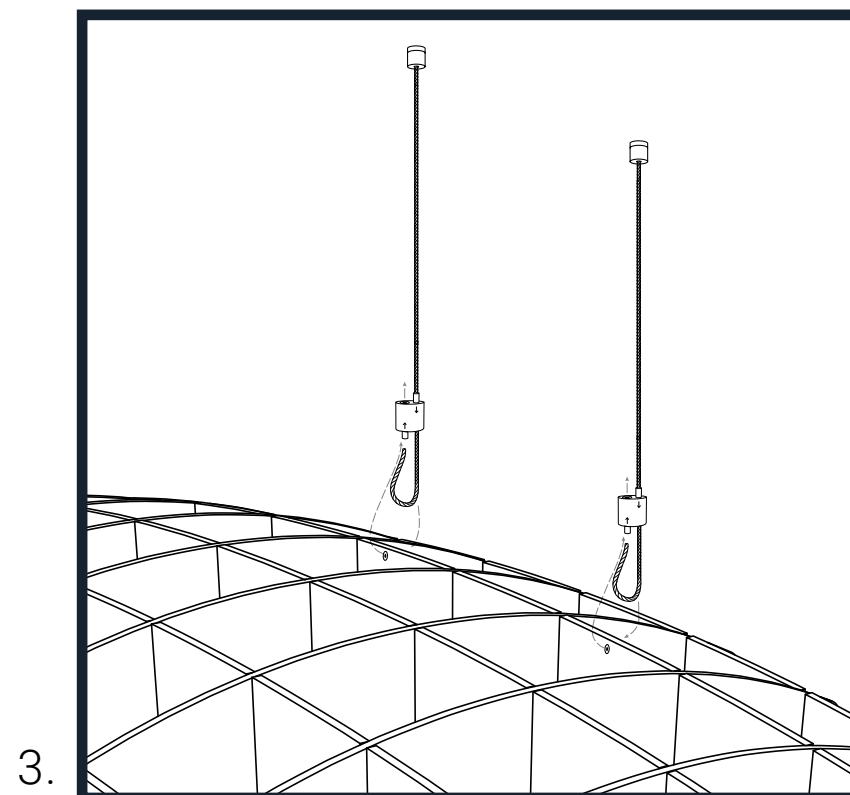
1 Ceiling layout and grid density



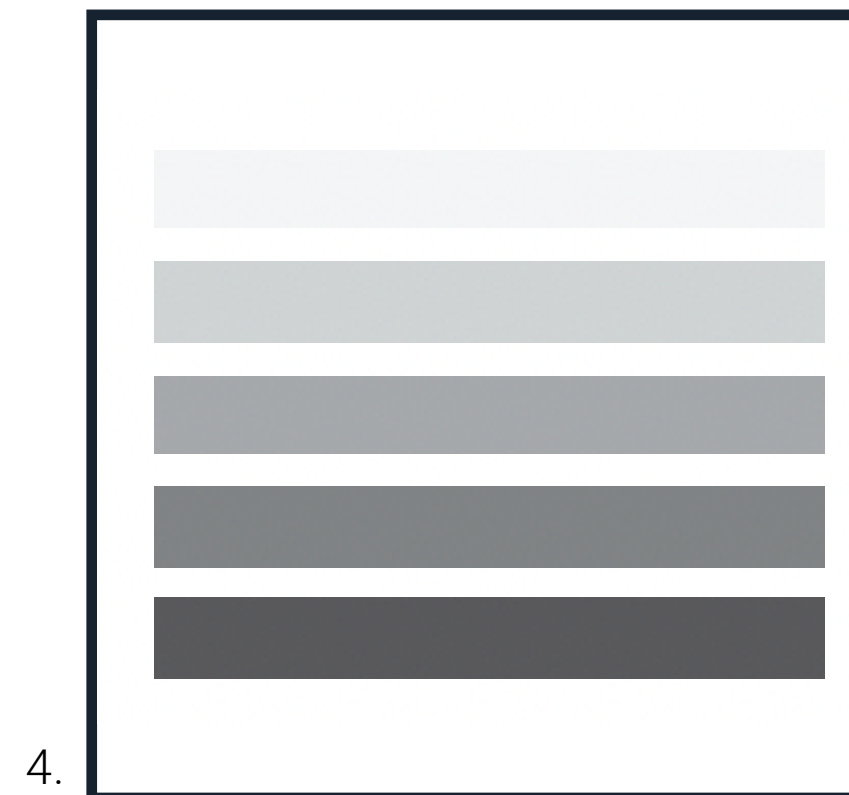
2 Spacing between multiple Matrix units



3 Suspension height and mounting preferences



4 Color selection



Design Your Layout – Light as Air. Bold as Architecture.

Stratus modules float with sculptural elegance, creating layers of depth and visual interest. Each interlocking fin pattern is designed to work solo or in groups, shaping acoustic zones and defining space.

Collaborate with Our Design Team

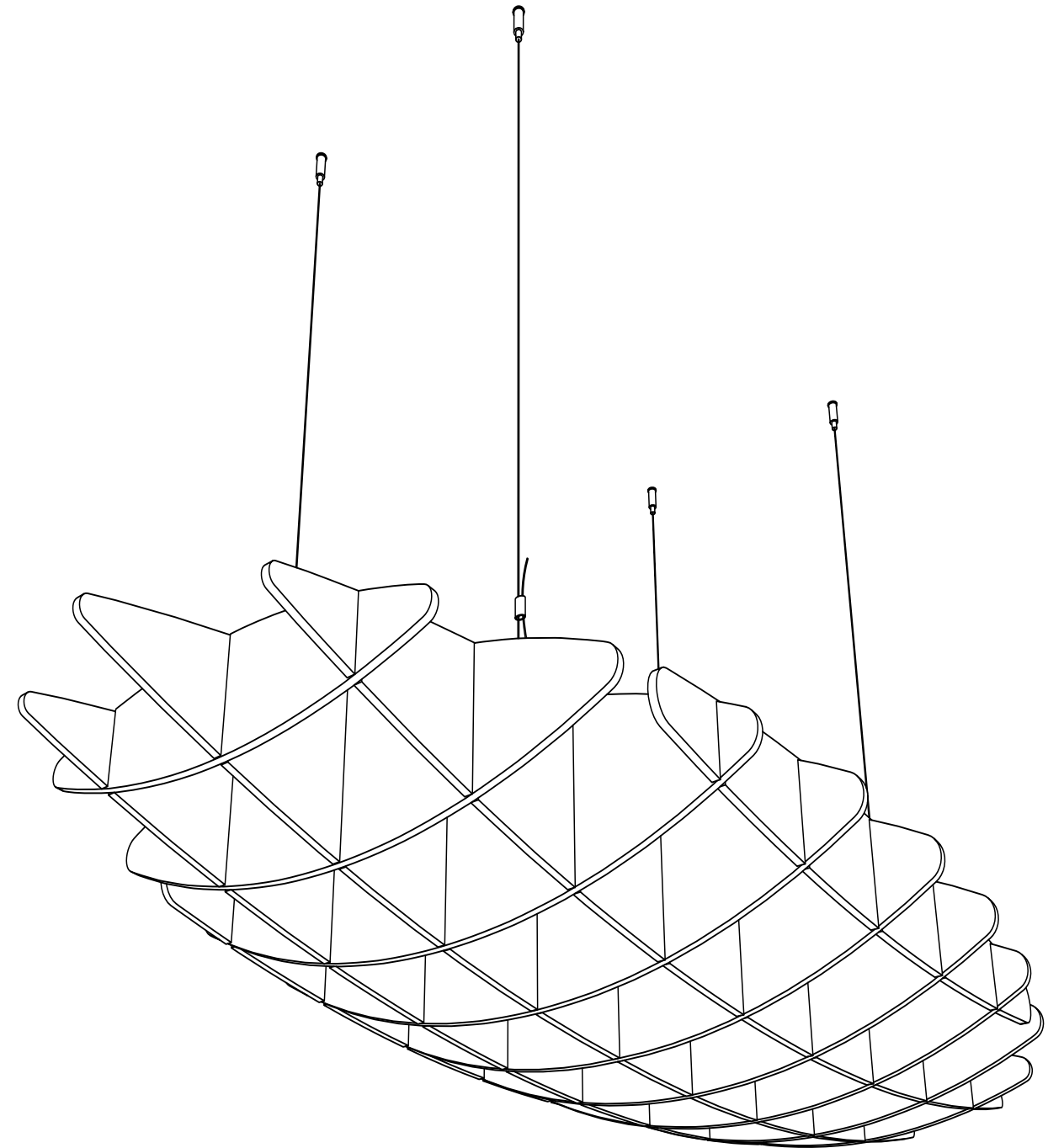
We assist in configuring a layout that balances your acoustic needs with design intent, accounting for ceiling height, room size, and ceiling features.

Already Have a Concept?

Send us your sketches or inspiration images. We'll develop a custom layout plan including dimensions, mounting details, and finish options.

Details That Help Tailor Your Layout

- Ceiling height and room dimensions
- Desired acoustic coverage and number of units
- Obstructions like lighting, HVAC, sprinklers
- Finish preferences and architectural style



Spacing Strategy – Create Movement and Airflow

The spacing and suspension height of Stratus modules influence acoustic impact and spatial perception.

Suggested Layouts:

- **Close Cluster:** Maximum acoustic coverage and sculptural density
- **Moderate Gaps (6–12”):** Balanced rhythm with openness
- **Wide Gaps (12”+):** Dramatic, floating presence



Mounting & Connections – Airy Simplicity

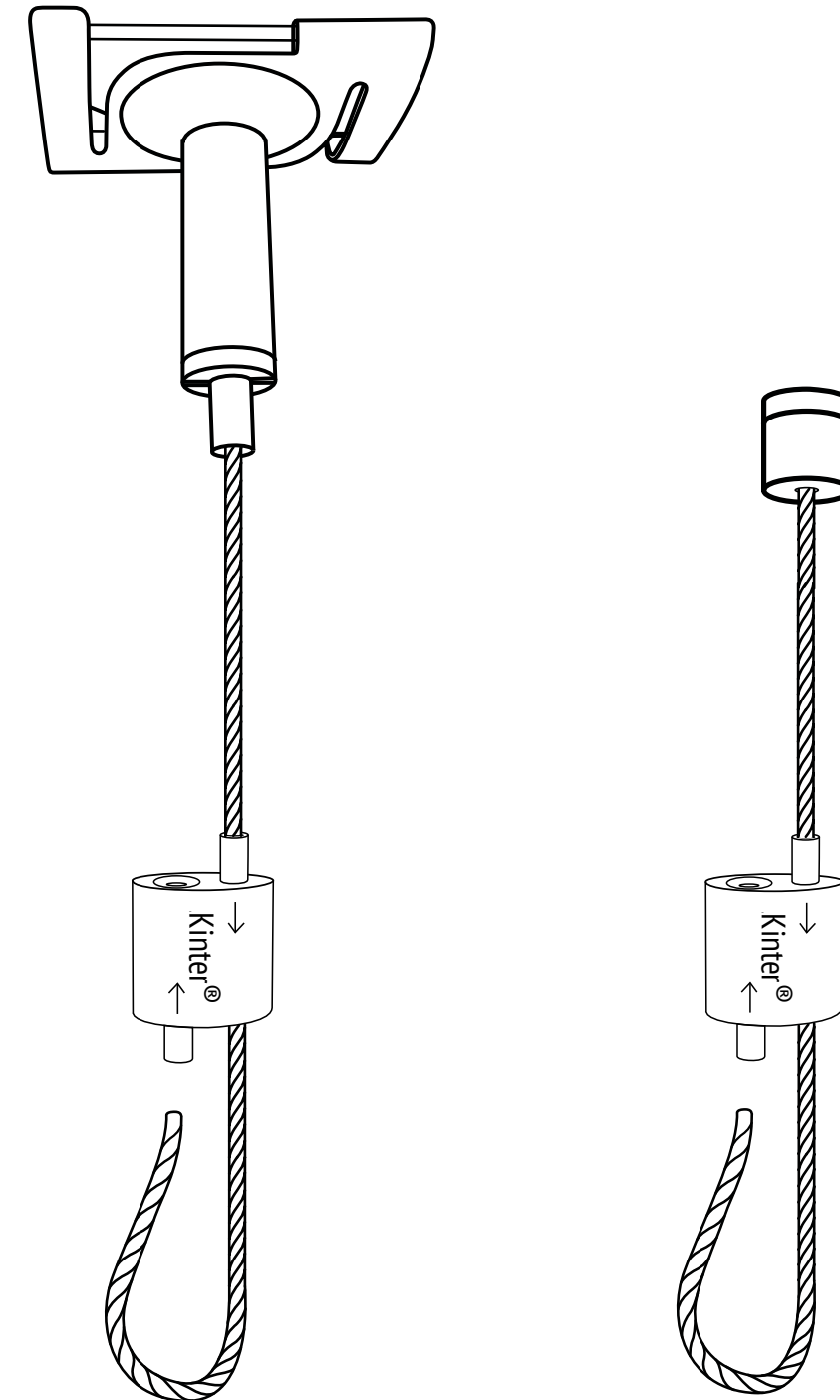
Stratus installs quickly and securely with minimal visual disruption.

Mounting Options

- Aircraft cable suspension system with adjustable height
- Compatible with slab ceilings or T-grids
- Pre-labeled cable kits for precision
- Top-mounted brackets for discreet attachment

Installation Notes:

- Hanging points clearly marked
- Suitable for individual or series installations
- Detailed installation guides available



Color That Moves with Light

Stratus™ is available in 32 curated standard colors to match the clean lines and crisp forms it brings to the ceiling. Whether subtle or bold, your finish selection enhances the spatial rhythm and function.



Sea Salt



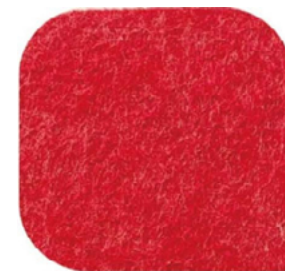
Smokey White



Silver Marble



Buckskin



Apple Red



Cranberry



Forest Green



Pacific Blue



Dark Buckskin



Sea Spray



Dark Marble



Coffee



Amethyst



Pear Green



Admiral Blue



Blue Jay



Arizona Sun



Elephant Grey



Aquatic Blue



Lime Green



Arctic Seal



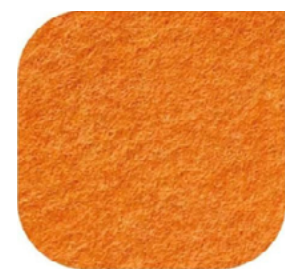
Emerald Green



Azure



Night Blue



Orange Peel



Graphite



Shadow



Jet Black



Black Green



Aruba Blue



Baby Blue



Ash Grey

Need a match? Custom colors and finishes available upon request.

Dimensions and Specifications

ATTRIBUTE	DETAIL
Dimensions	4" x 96" x 12" Standard size
Material	Precision-cut PET felt fins, 9mm thickness
Finish Options	ONNiT Standard Color Palette + custom finishes
Mounting	Aircraft cable suspension system
Weight	Approx. 1.0–1.3 lb per sq. ft.
NRC Rating	Up to 1.00 (configuration dependent)
Fire Rating	ASTM E84 Class A
Sustainability	75% recycled content, recyclable



Use Cases



Lobby & reception areas



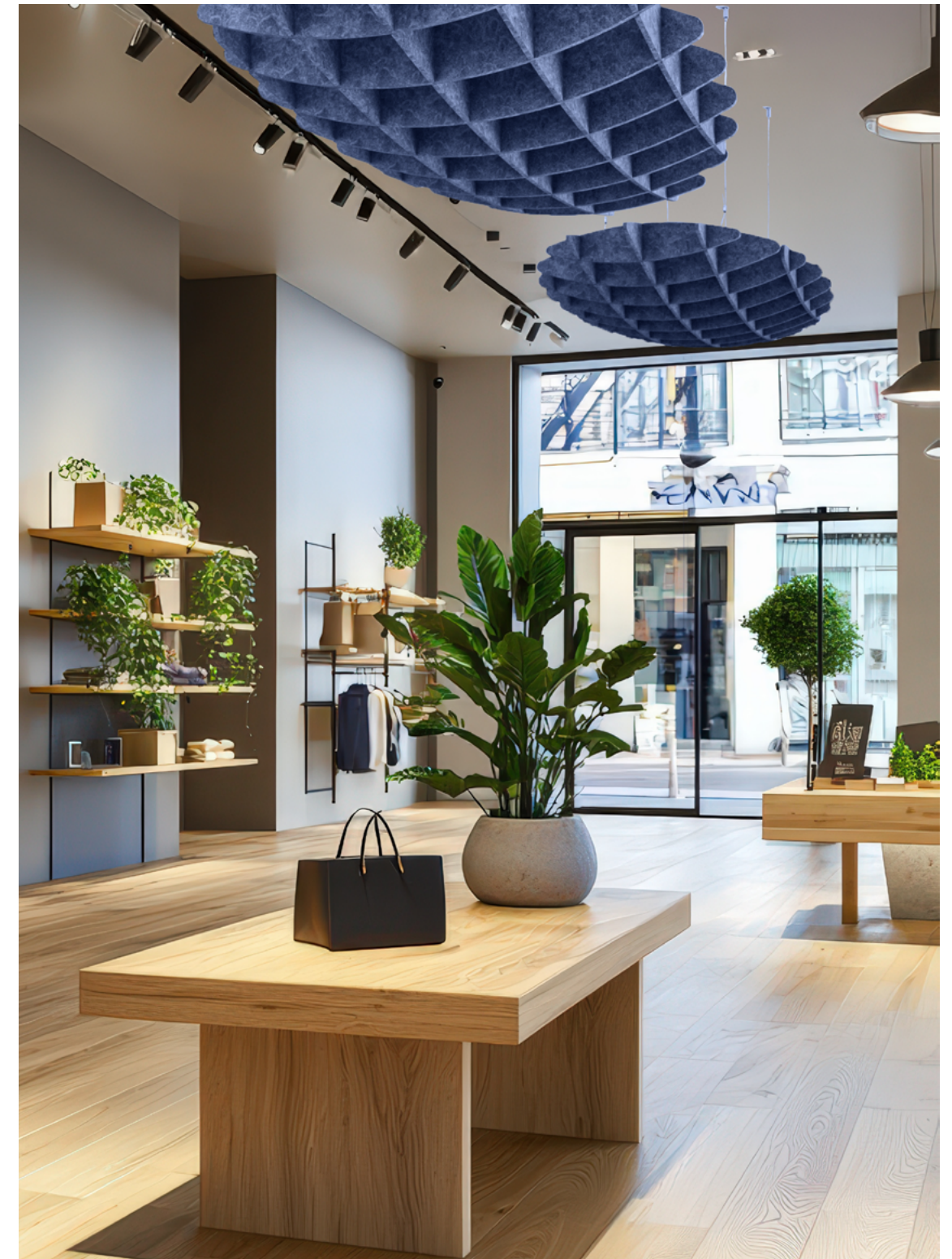
Open-plan offices



Collaborative workspaces



Boardrooms and meeting rooms



Hospitality and retail environments

Sustainability + Compliance

- 75% recycled PET, fully recyclable content
- Made from Low-VOC, formaldehyde-free
- Made using OEKO-TEX® and GRS-certified materials
- Eligible for LEED MR and EQ credits





Acoustic Testing Data

- NRC values: range 0.85–1.00
- Independent testing (Intertek)
- Acoustic performance varies by configuration



info@onnitsystems.com

(801) 619-7044



*Visit our online form and
configuration system*