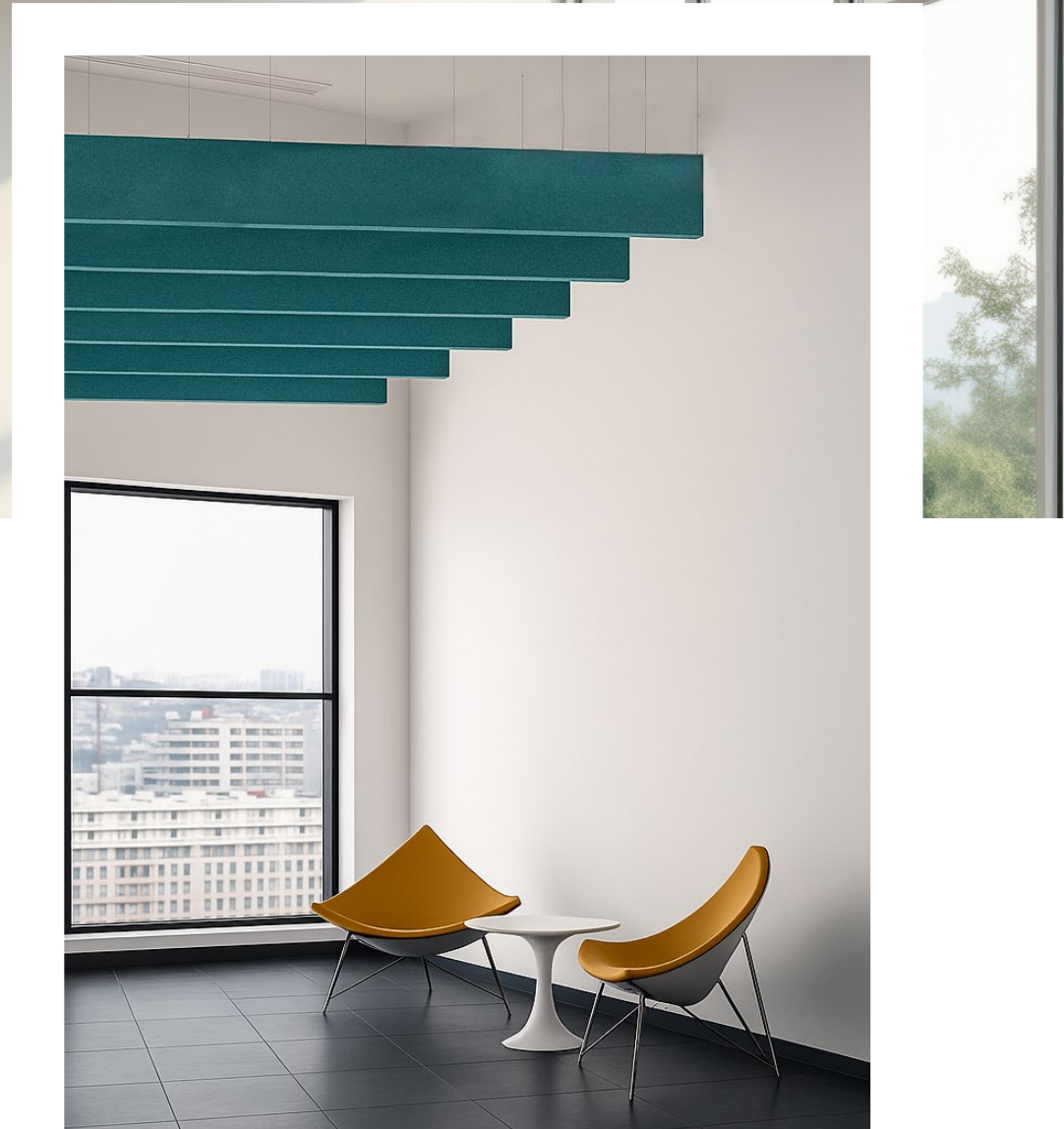




# Straight™

## Minimalist Blade Baffles





## **Straight™ : Minimalist Blade Baffles**

*Pure Form. Maximum Function.*

Straight™ blade baffles are the essence of modern simplicity. With a crisp, rectangular profile and zero embellishment, these panels offer refined acoustics without visual clutter. Designed to complement clean architectural lines, Straight™ brings clarity, control, and balance to open spaces—delivering high-performance sound absorption in a form that disappears into the environment while still providing a sense of quiet structure.

## Key Features

- Streamlined rectangular profile with minimalist form
- Delivers strong acoustic performance (NRC up to 1.00)
- Clean, continuous lines for linear or grid installations
- Supports open-ceiling concepts with architectural rhythm
- Available in 9mm or 12mm PET felt
- Offered in ONNiT's Standard Color Palette + custom colors
- ASTM E84 Class A fire rating
- Made from 60%+ recycled PET, 100% recyclable



## Design Your Layout

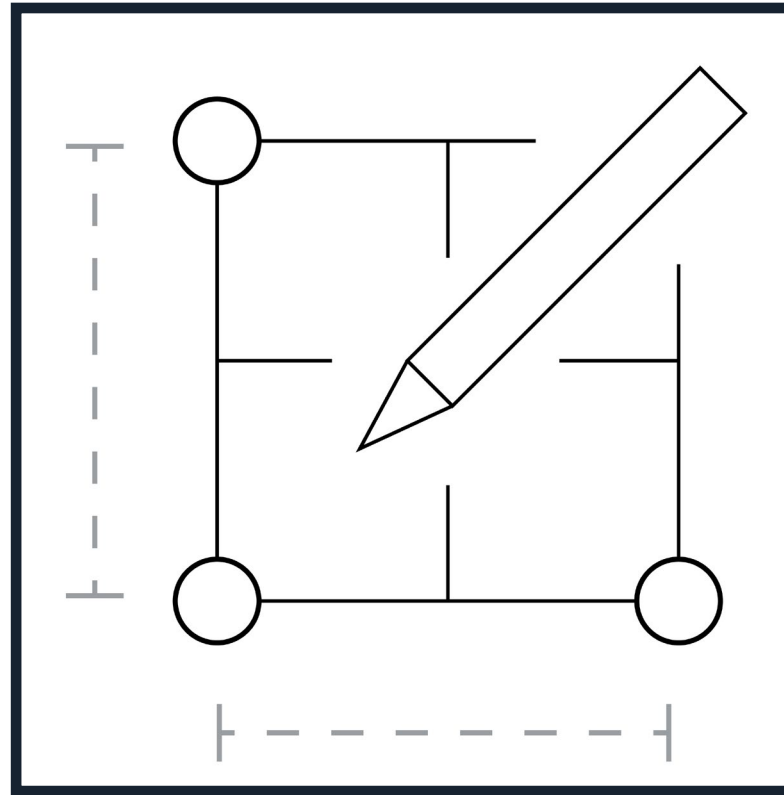
1 Ceiling layout and grid density

2 Spacing between multiple Matrix units

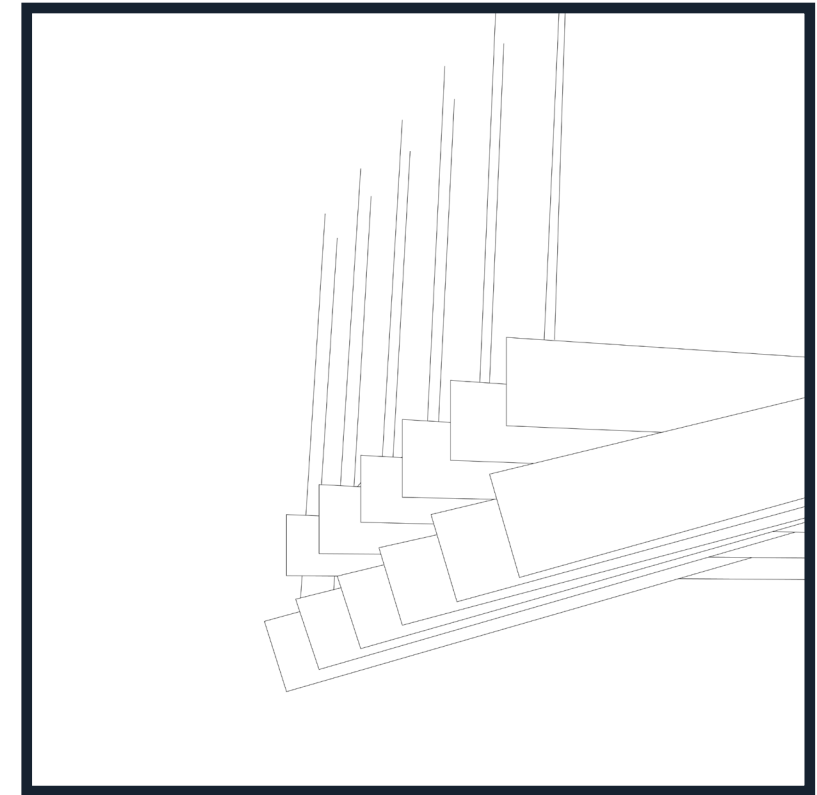
3 Suspension height and mounting preferences

4 Color Selection

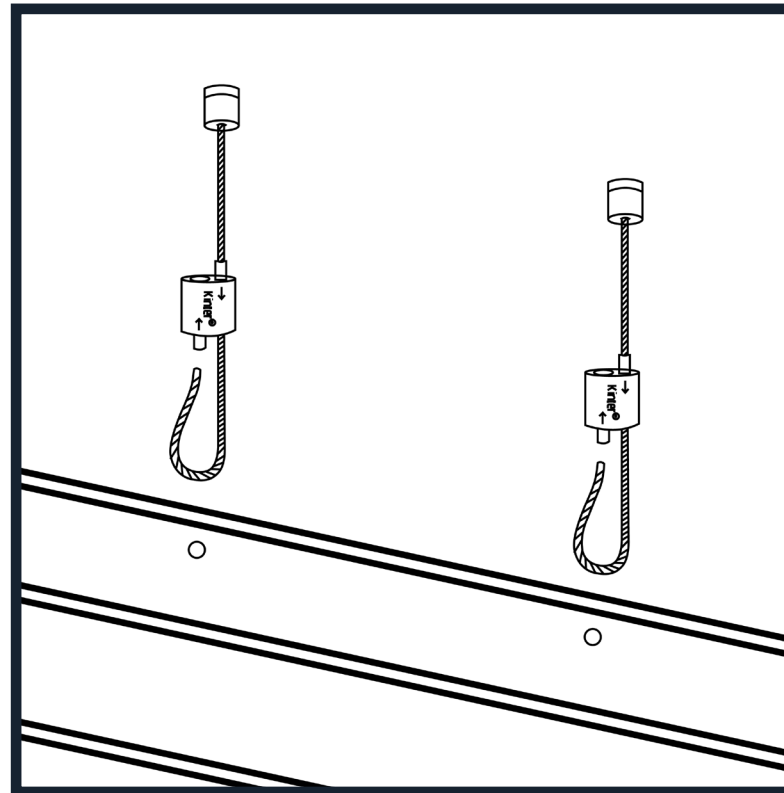
1.



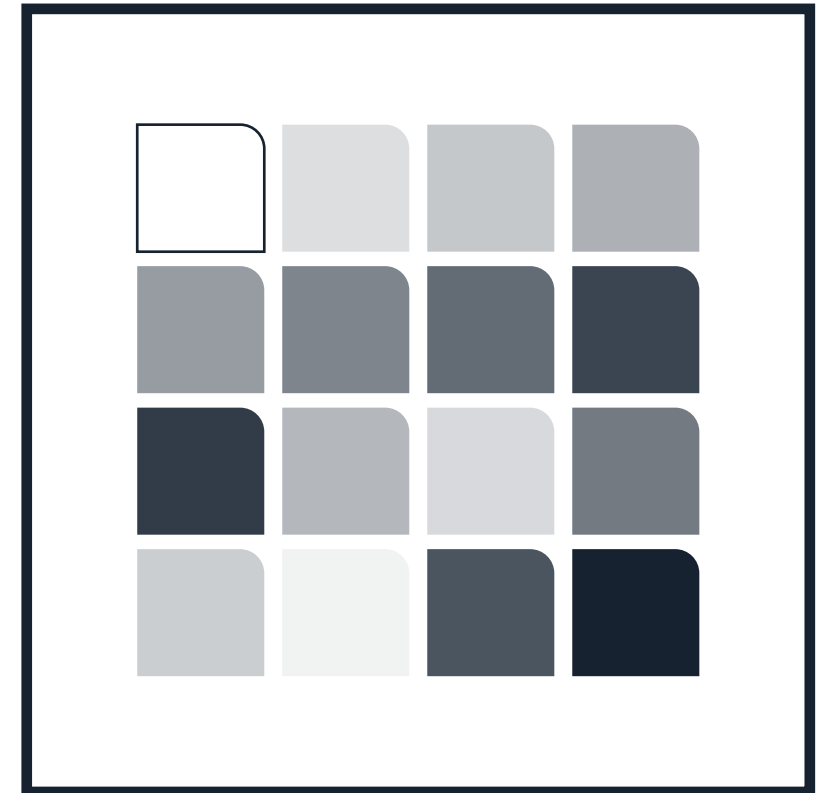
2.



3.



4.



## Design Your Layout – Flowing Vertical Elements, Acoustic Harmony

Whether aligned in perfect rows or set in staggered offsets, Straight™ panels are designed to create rhythmic repetition that enhances both aesthetics and acoustics. Their neutral profile adapts easily to varied ceiling types and layout strategies.

### We Can Help

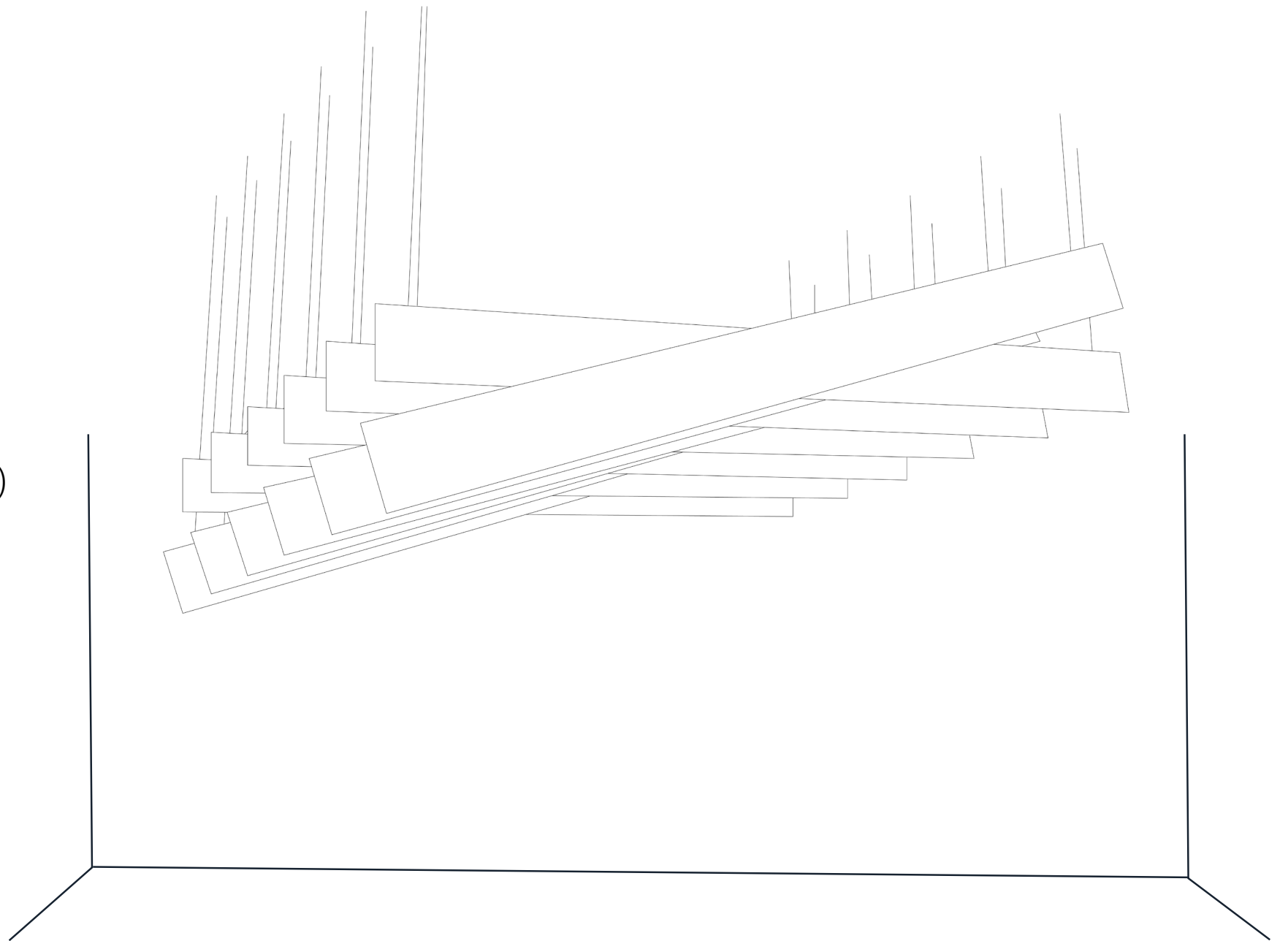
Our design team offers layout consulting, CAD support, and installation-ready shop drawings.

### What to Consider:

- Ceiling dimensions and height
- Baffle spacing preferences
- Any MEP coordination needs (lighting, HVAC, sprinklers)
- Preferred material thickness and color

### Layout Styles:

- Linear Runs – consistent, parallel spacing
- Staggered Rows – adds movement and interest
- Clustered Zones – defines space while maintaining openness



## Mounting & Connections - Cable Freeform Suspension System

### Cable Freeform Suspension System

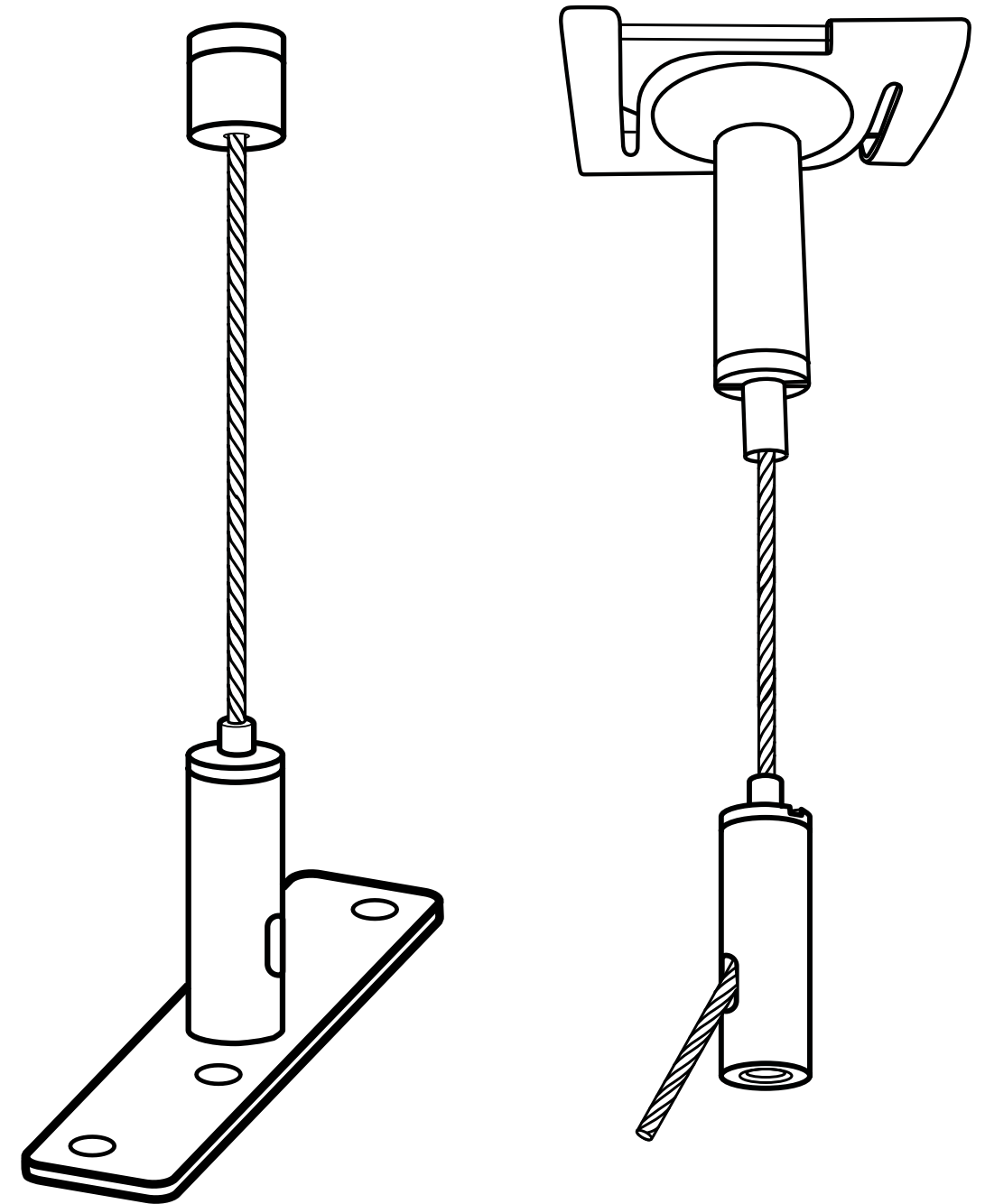
Straight™ baffles are suspended using ONNiT's aircraft cable system, which provides adjustability for easy leveling and alignment. Installation is fast, with minimal hardware and clean coordination.

### Mounting Options

- Standard aircraft cable suspension
- Compatible with open or drop ceilings
- Pre-cut slots for quick attachment
- Optional bracket kits for alternate install methods

### Included with Order:

- Mounting hardware + labeled baffle sets
- Install instructions (PDF + CAD)
- Custom layout support (optional)



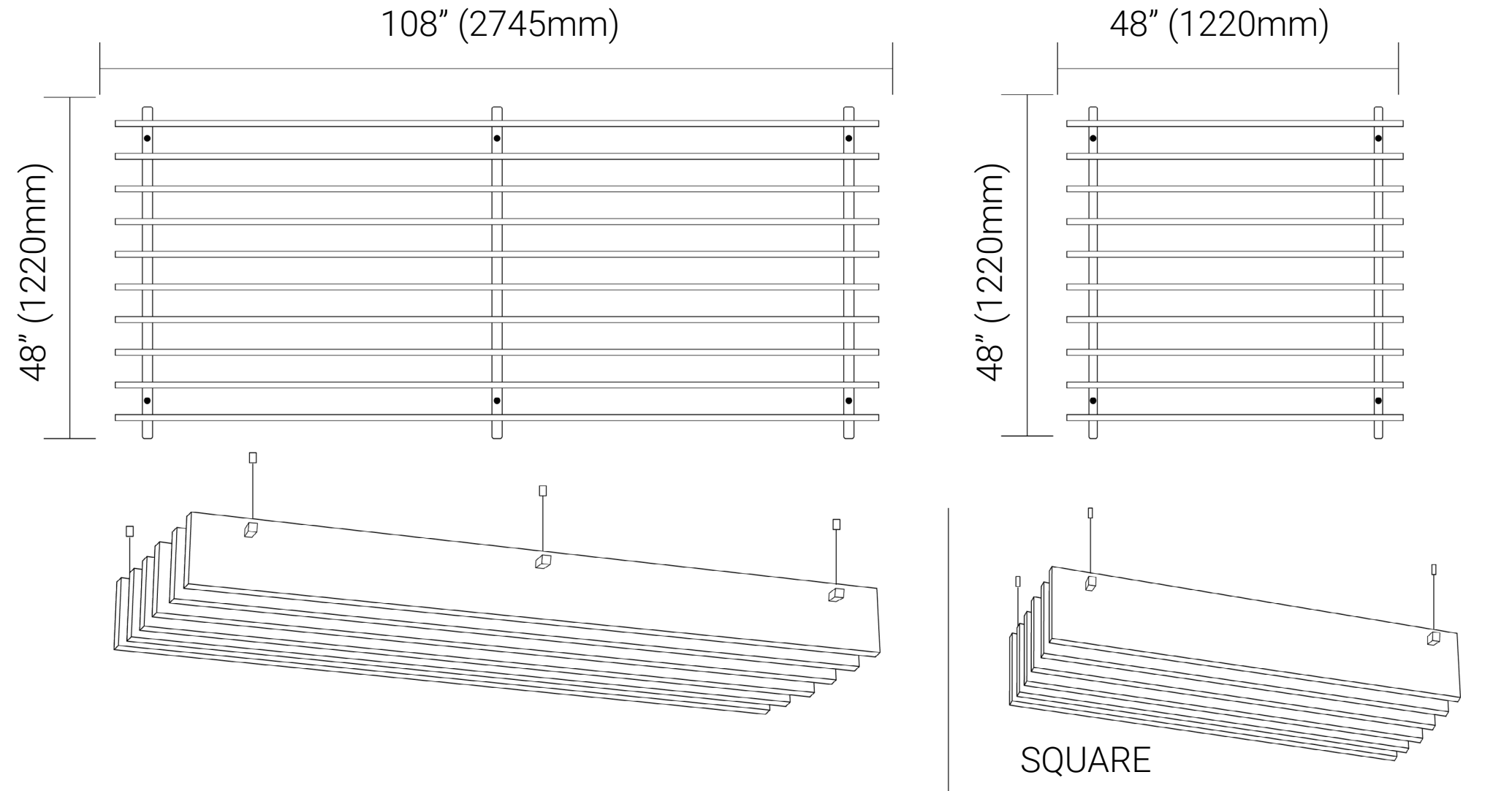
## Mounting & Connections - Cable Freeform Suspension System

### Tube Frame Blade Baffle System

ONNiT's Tube Frame Blade Baffle Systems provide a clean, durable suspension solution for architectural ceilings. Each baffle panel is mounted to a 1" x 1" square aluminum tube frame, suspended via aircraft cable kits and pre-drilled for ease of installation.

#### System Components

- 1" x 1" anodized aluminum square tube frame (silver finish)
- Pre-mounted PET felt baffles (9mm)
- Factory pre-drilled bolt-through baffle-to-frame connection
- Aircraft cable suspension kit with gripper, ceiling anchor, and leveling adjuster
- Optional: longer cables, or field-trimmed assemblies



## Mounting & Connections - Cable Freeform Suspension System

### Mounting Instructions

#### Step 1: Prepare Frame & Ceiling Anchor Points

- Confirm layout grid and drop locations per reflected ceiling plan (RCP)
- Pre-drill or locate ceiling anchor points to align with frame attachment locations
- Anchors must be rated for suspended loads

#### Step 2: Suspend Tube Frame

- Attach aircraft cables to ceiling structure with included anchors
- Slide cable through adjustable grippers pre-mounted on the frame
- Use integrated cable gripper to level the frame prior to final baffle installation

#### Step 3: Attach Baffles to Frame

- Align factory slots in PET baffles with pre-drilled bolt locations in tube frame
- Insert hardware bolts (supplied) through baffle and into frame; secure with nylon locking nuts
- Ensure equal spacing and consistent baffle orientation across entire system

#### Step 4: Final Leveling and Clean-Up

- Adjust grippers for final height alignment
  - Confirm all bolts and cable terminations are secure
- Wipe down frame and baffles with microfiber cloth

### Recommended Spacing

- Baffles typically spaced 4", 6", 8", or 12" on center depending on acoustic and visual goals
- Contact ONNiT for layout recommendations based on your space and NRC performance targets

### Material & Finishes

- **Tube Frame Finish:** Anodized Clear Silver
- **Panel Colors:** Full ONNiT felt palette available; multi-color installations supported
- **PET Panel Thickness:** 9mm

### Included Hardware

- Tube frame with pre-drilled holes
- Aircraft cable suspension kit (5' standard length)
- Bolt and nut sets for baffle-to-frame installation

### Notes

- All baffles ship pre-cut and labeled for fast field assembly
- Longer cable kits and multi-color configurations available by request
- Custom sizing available (e.g., 48" x 48", 48" x 108", 108" x 108")

## Dimensions and Specifications

ATTRIBUTE	DETAIL
Dimensions	Common sizes: 48" L x 12" H x 1" W (custom available)
Material	9mm or 12mm PET felt
Finish Options	ONNiT Standard Color Palette + Custom
Mounting	Adjustable aircraft cable suspension
Weight	Approx. 1.2 lb per sq. ft.
NRC Rating	Up to 1.00 (varies by spacing/config)
Fire Rating	ASTM E84 Class A
Sustainability	60%+ recycled content, fully recyclable



## Use Cases



Minimalist office interiors



Educational and institutional ceilings



Public and civic buildings



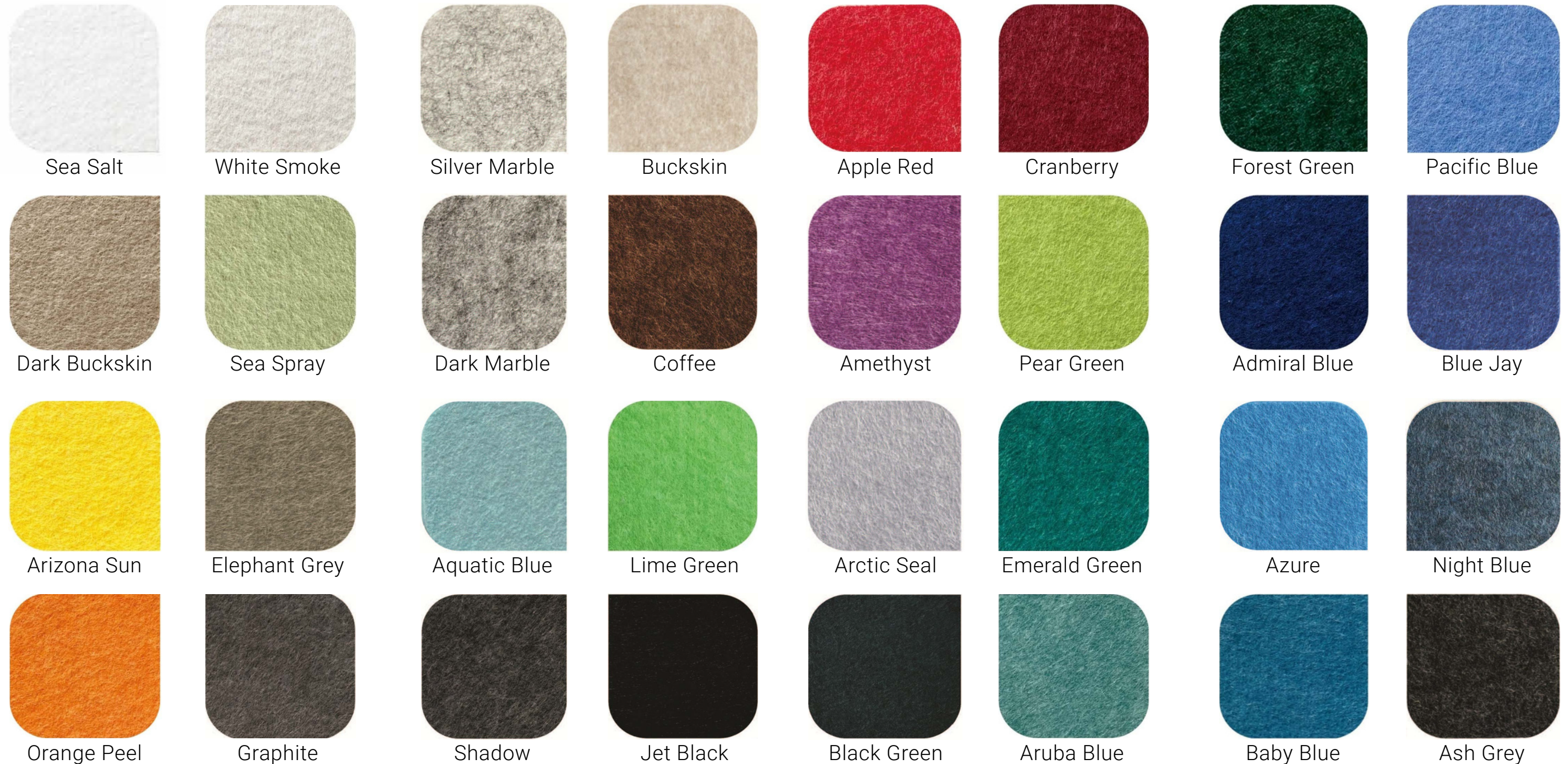
Commercial environments needing subtle acoustic control



Conference areas and open plan workspaces

## Color That Flows With Your Design

Straight™ is available in ONNiT's full Standard Color Palette, including warm neutrals, cool greys, and soft earth tones. Custom colors available for branded or special applications.



Need Something More Specific? Custom color matching and expanded palette options are available upon request.  
Let Color Complete The Form - And Your Vision

## Sustainability + Compliance

- 75%+ recycled PET, fully recyclable content
- Low-VOC, formaldehyde-free
- Made with OEKO-TEX® and GRS certified materials
- Eligible for LEED MR + EQ credits
- Fully recyclable at end of life

**SGS**



**intertek**  
Total Quality. Assured.

## Acoustic Testing Data

- NRC up to 1.00 depending on layout
- Absorbs mid- to high-frequency sound
- Ideal for speech-focused spaces and shared environments



info@onnitsystems.com

(801) 619-7044



*Visit our online form and  
configuration system*