



**Shift™**

*Dynamic Offset  
Ceiling Cloud*



## Shift™: Dynamic Offset Ceiling Cloud

*Movement. Depth. Acoustic Rhythm.*

Shift ceiling clouds feature an offset grid design that creates movement and depth across the ceiling plane. With staggered intersections and layered geometry, Shift adds dynamic visual rhythm while delivering effective acoustic control. Perfect for modern workspaces, lobbies, and creative environments, Shift brings structure and motion together in a single suspended form.

## Key Features

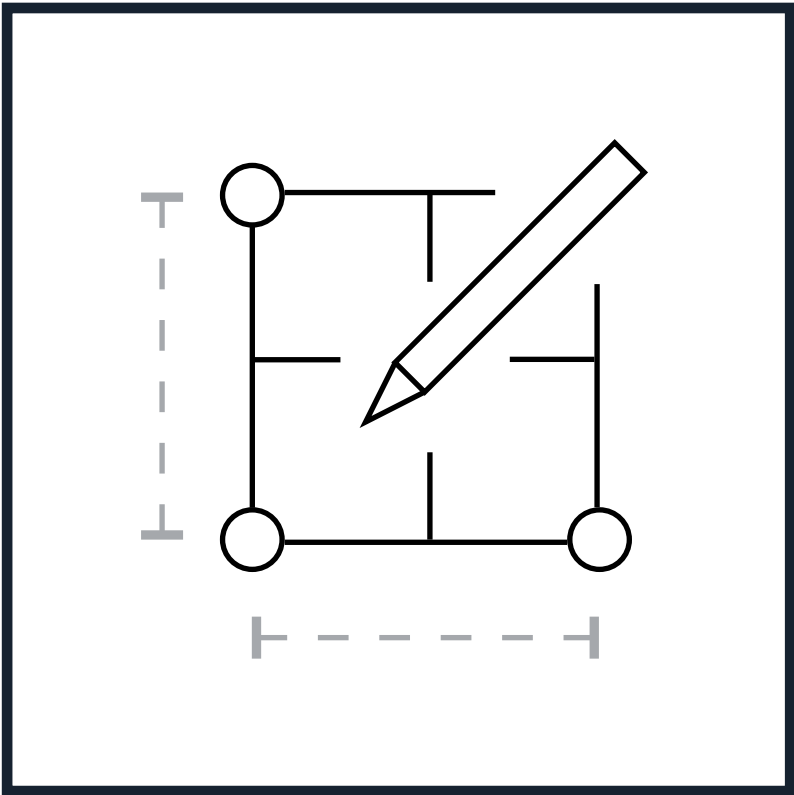
- Offset grid layout with staggered intersections
- Layered geometry creating depth and motion
- Effective acoustic absorption with NRC up to 1.00
- Made from 60%+ recycled PET felt
- Modular for flexible configuration and installation
- Adjustable aircraft cable suspension system
- Class A fire rating (ASTM E84)
- Custom sizes and finishes available



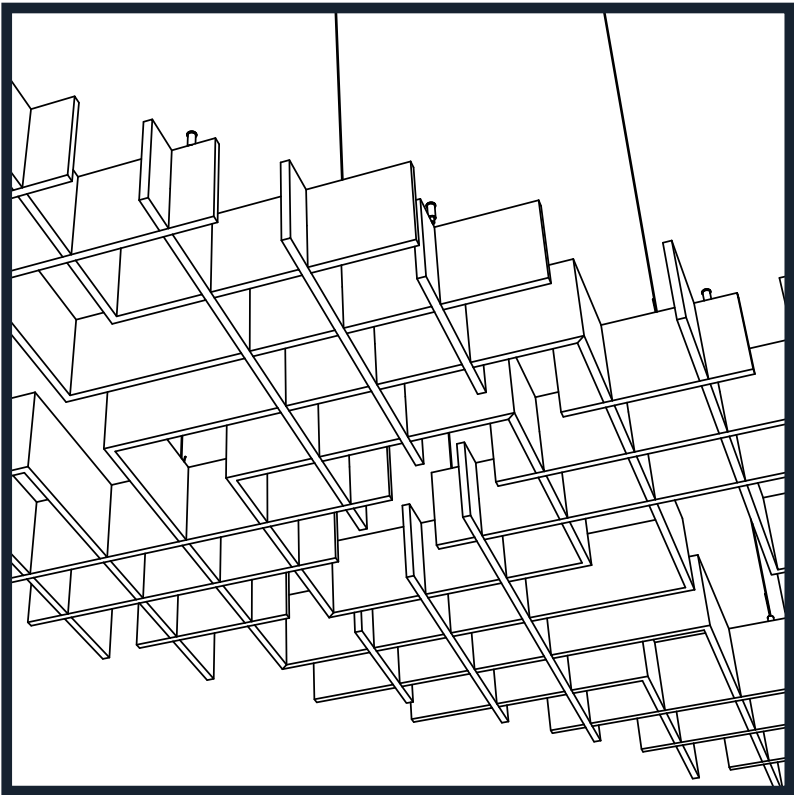
*Specify – Design Your Layout*

- 1 Ceiling layout and offset grid density
- 2 Suspension height and spacing between modules
- 3 Mounting preferences and cable management
- 4 Color selection and finish options

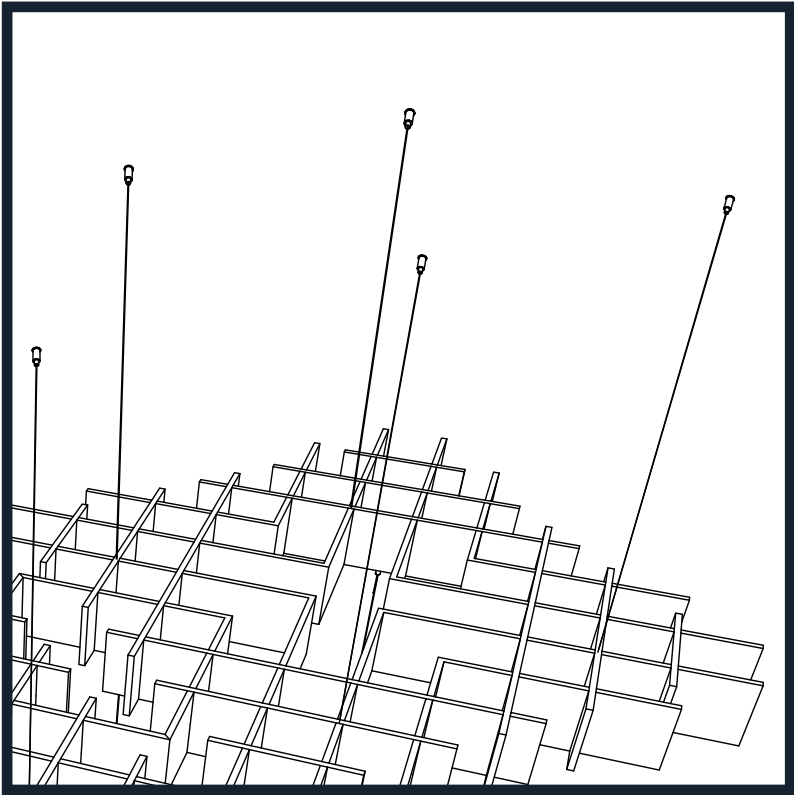
1.



2.



3.



4.



## Design Your Layout – Movement Meets Function

Shift™ transforms ceilings with layered geometry and a rhythmic offset pattern. Whether arranged in continuous runs or as standalone elements, it provides acoustic performance and architectural interest.

### Collaborate with Our Design Team

Send us your ceiling specs, and we'll help customize your Shift layout to optimize sound absorption and aesthetic impact.

### Already Have a Vision?

Share your sketches or inspiration images, and we'll develop a precise plan from sizing to mounting hardware.

### Details That Help Us Tailor Your Layout

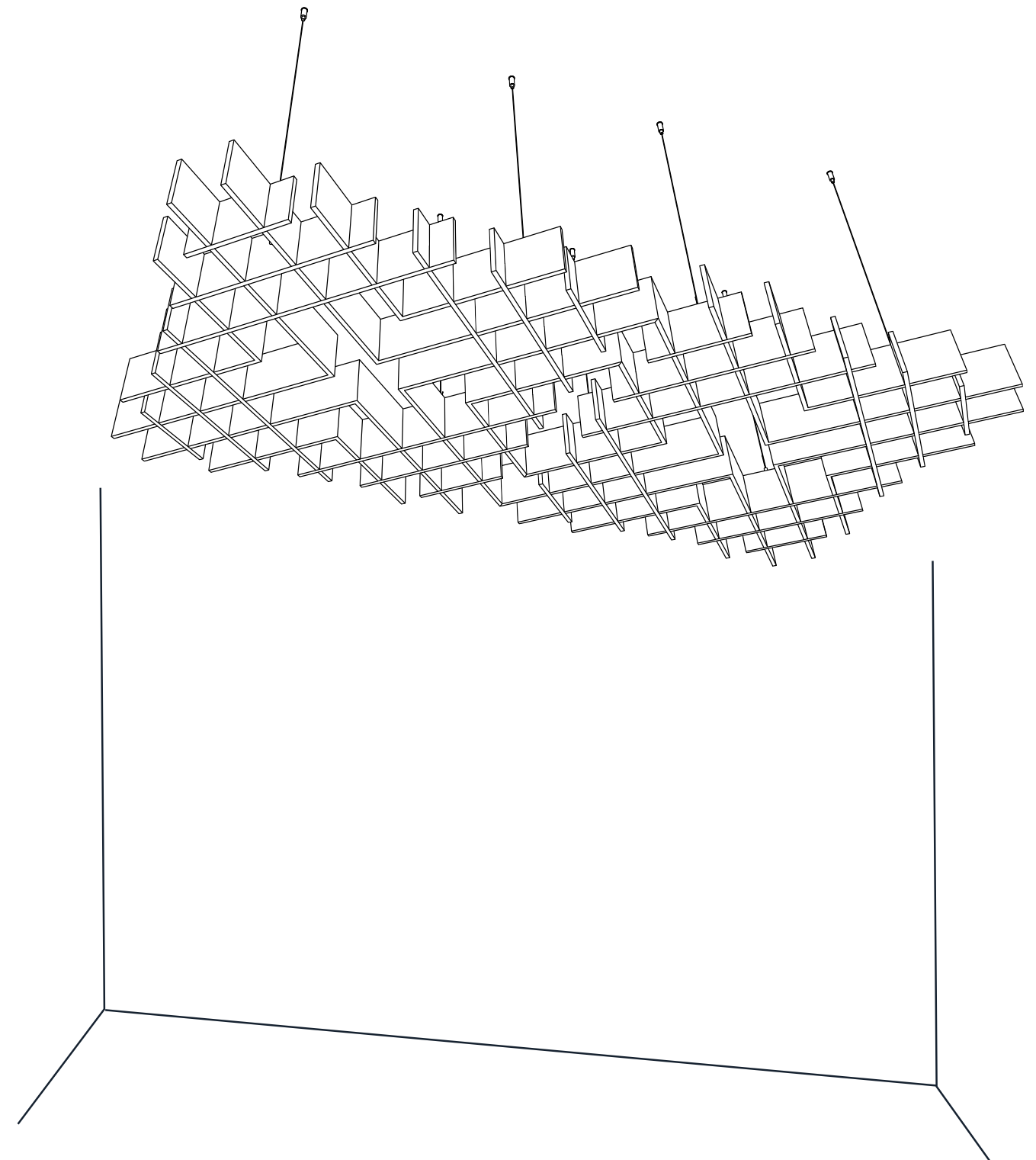
- Room dimensions and ceiling height
- Desired acoustic coverage and focal points
- Integration with lighting, HVAC, and sprinklers
- Preferred finish style and color

### Spacing Strategy – Layered Rhythm

The spacing of Shift modules affects both the visual flow and acoustic effectiveness.

### Suggested Spacing Options:

- **Tight Gaps (3- 6"):** Maximum acoustic coverage and continuous visual flow
- **Moderate Gaps (6–12"):** Balanced openness and rhythm
- **Wider gaps (12"+):** Individual module definition and sculptural effect



## Mounting & Connections

### Mounting System

- Adjustable aircraft cable suspension compatible with deck or T-bar ceilings
- Pre-marked hanging points on each unit
- Clean top-mount cable clips for discreet installation
- Optional bracket kits for specialty ceiling types

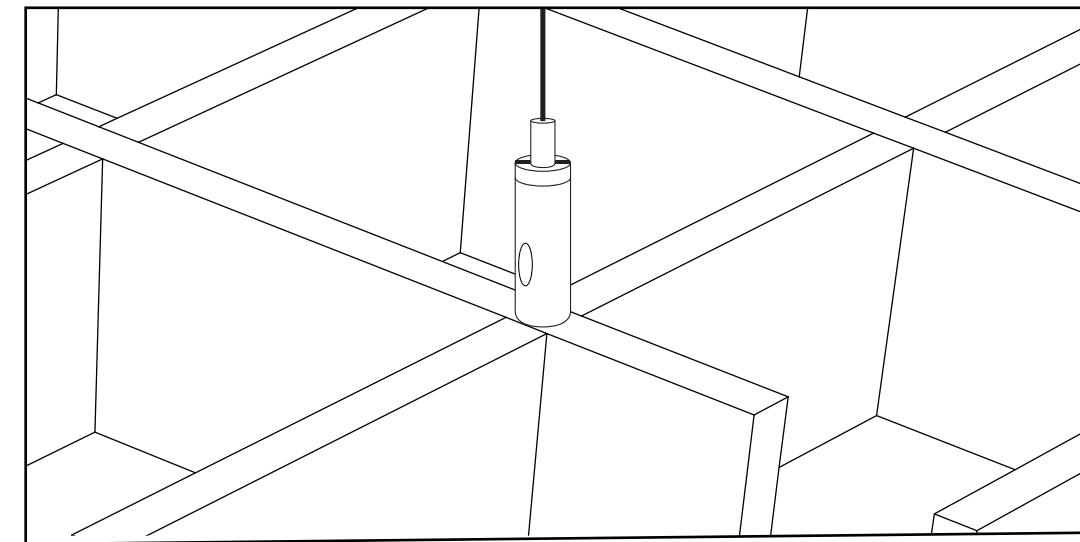
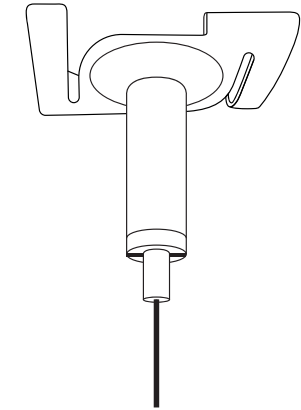
### Installation Notes

- Modules can be installed individually or linked in series
- CAD files and installation guides available

Mounting Option A



Mounting Option B



Adjustable Length  
Cable Attachment

## Color That Moves With Your Spacen

Shift™ comes in 32 curated colors to complement its layered geometry. From subtle neutrals to bold accents, your finish choice enhances the visual and acoustic performance of the ceiling cloud.



Sea Salt



Smokey White



Silver Marble



Buckskin



Apple Red



Cranberry



Forest Green



Pacific Blue



Dark Buckskin



Sea Spray



Dark Marble



Coffee



Amethyst



Pear Green



Admiral Blue



Blue Jay



Arizona Sun



Elephant Grey



Aquatic Blue



Lime Green



Arctic Seal



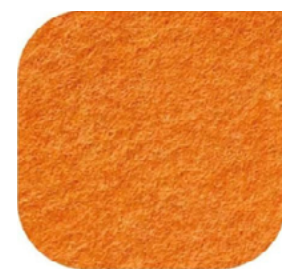
Emerald Green



Azure



Night Blue



Orange Peel



Graphite



Shadow



Jet Black



Black Green



Aruba Blue



Baby Blue



Ash Grey

Custom colors available upon request.

# Dimensions and Specifications

ATTRIBUTE	DETAIL
<b>Dimensions</b>	48" x 48" x 6" Standard (Custom Sizes Available)
<b>Material</b>	Rigid PET felt, 9mm thickness
<b>Finish Options</b>	ONNiT Standard Color Palette
<b>Mounting</b>	Aircraft cable suspension system
<b>Weight</b>	Approx. 1.1 lb per sq. ft.
<b>NRC Rating</b>	Up to 1.00 (configuration dependent)
<b>Fire Rating</b>	ASTM E84 Class A
<b>Sustainability</b>	75% recycled content, recyclable



## Use Cases



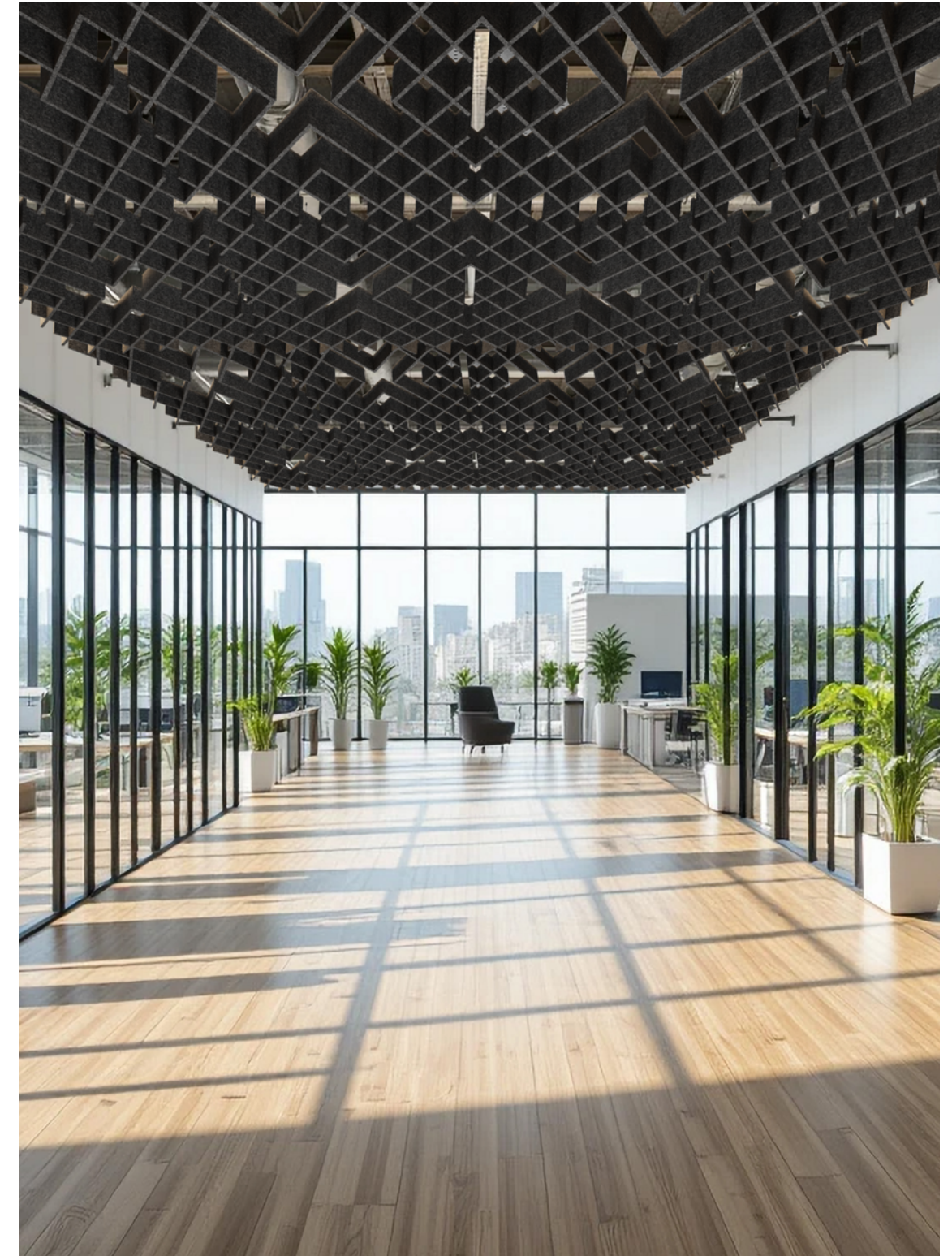
Lobby and reception areas



Meeting & conference rooms



Creative studios and innovation hubs



Modern offices and collaborative workspaces

## *Sustainability + Compliance*

- Made from 75% recycled PET felt
- Made with OEKO-TEX® and Global Recycled Standard (GRS) certified
- Low-VOC and formaldehyde-free
- Eligible for LEED MR and EQ credits



## *Acoustic Testing Data*

- NRC rating up to 1.00 depending on layout
- Independent lab testing available (Intertek)
- Acoustic absorption frequency charts available upon request



info@onnitsystems.com

(801) 619-7044



*Visit our online form and  
configuration system*