



Plank™

*Suspended Acoustic
Ceiling Baffles*





Plank™: Sculpted Acoustic Ceiling Elements

Minimalist, modern acoustic performance – elevated.

Plank™ baffles bring sound control and visual sophistication to any space. Designed for open ceilings and high-traffic areas, these modular acoustic baffles offer clean lines, scalable coverage, and customizable finishes.

Key Features

- Excellent acoustic performance with high NRC ratings 0.3 – 0.9
- Suspended installation to maintain open ceiling aesthetics
- Modular sizing for easy layout flexibility
- Custom layouts, patterns, and configurations
- Made from 60%+ recycled PET felt
- Various colors, finishes, and configurations
- Class A fire ASTM E84 Class A

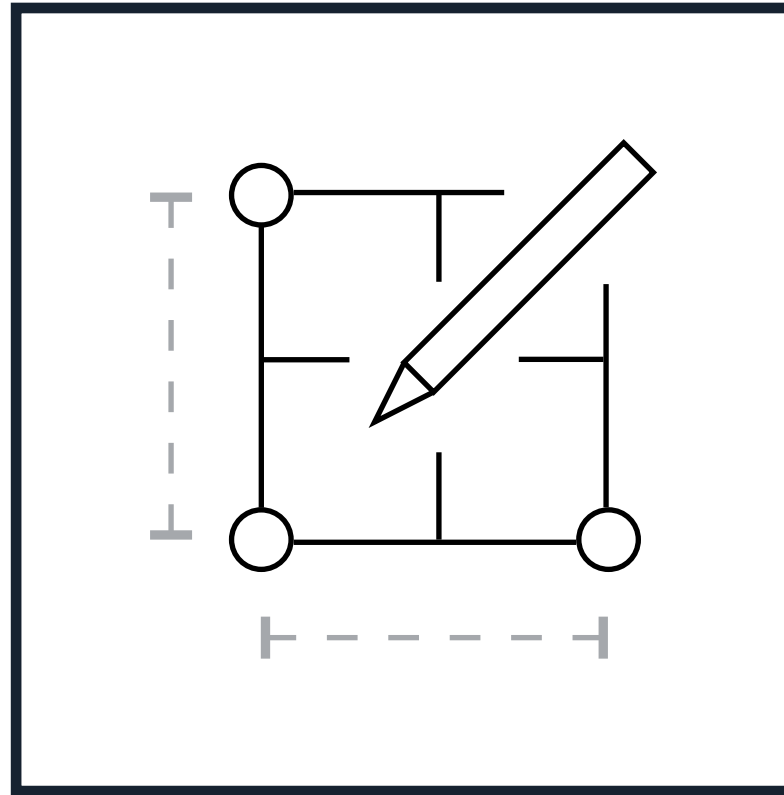


Plank™

*Design Your Layout - Precision in Pattern.
Confidence in Coverage.*

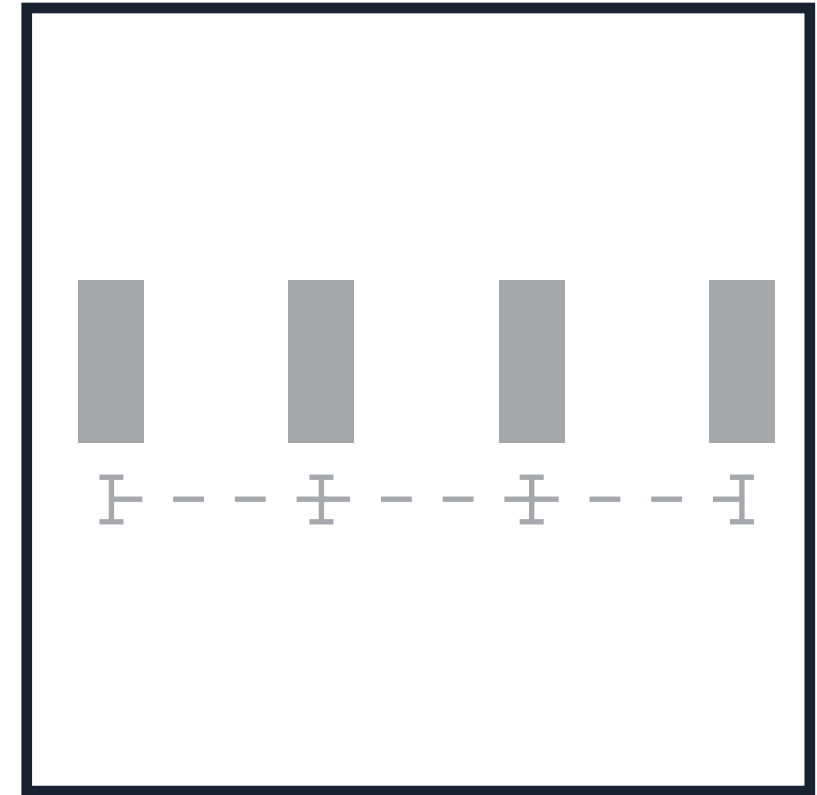
1 Desired Layout and Ceiling Coverage

1.



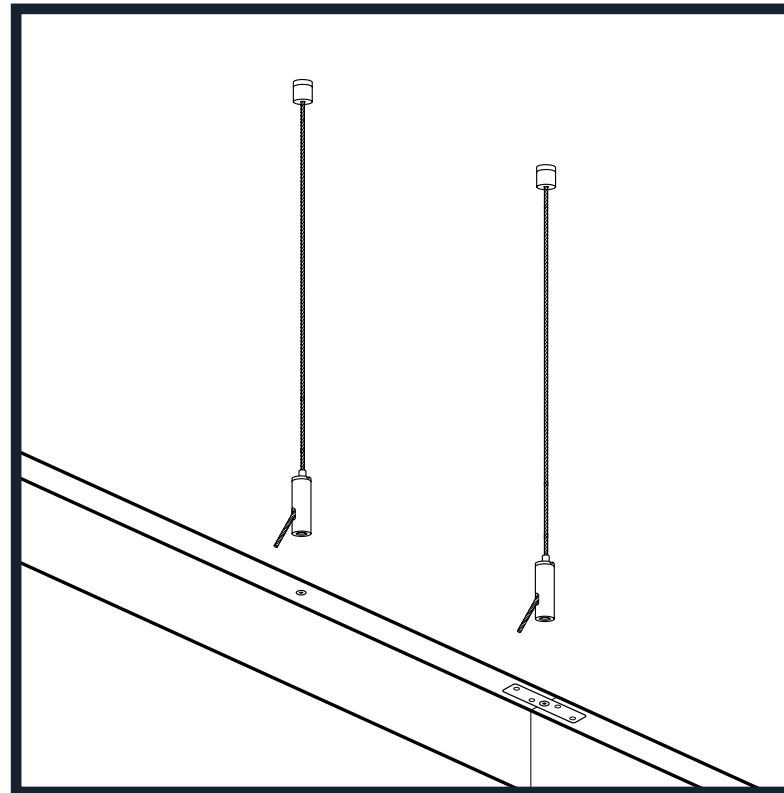
2 Spacing Strategy

2.



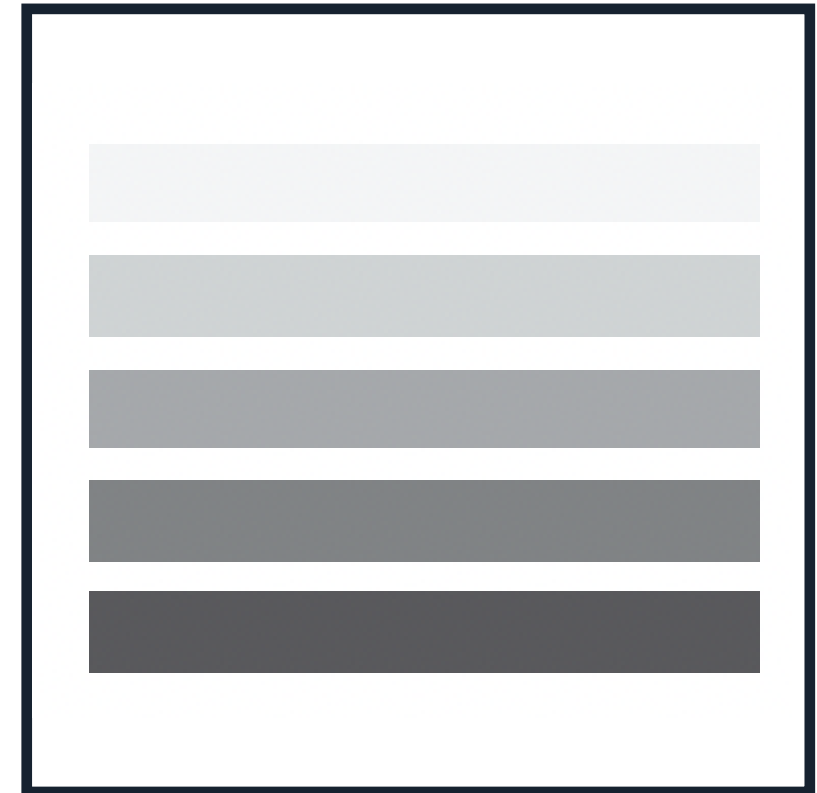
3 Mounting and Connection Preferences

3.



4 Color Selection

4.



Design Your Layout – Precision in Pattern. Confidence in Coverage.

Plank™ is defined by geometry

bold, dimensional panels that balance visual rhythm with acoustic control. Whether aligned in clean symmetry or staggered for dynamic expression, each layout offers powerful performance in a refined architectural form.

Collaborate with Our Design Team

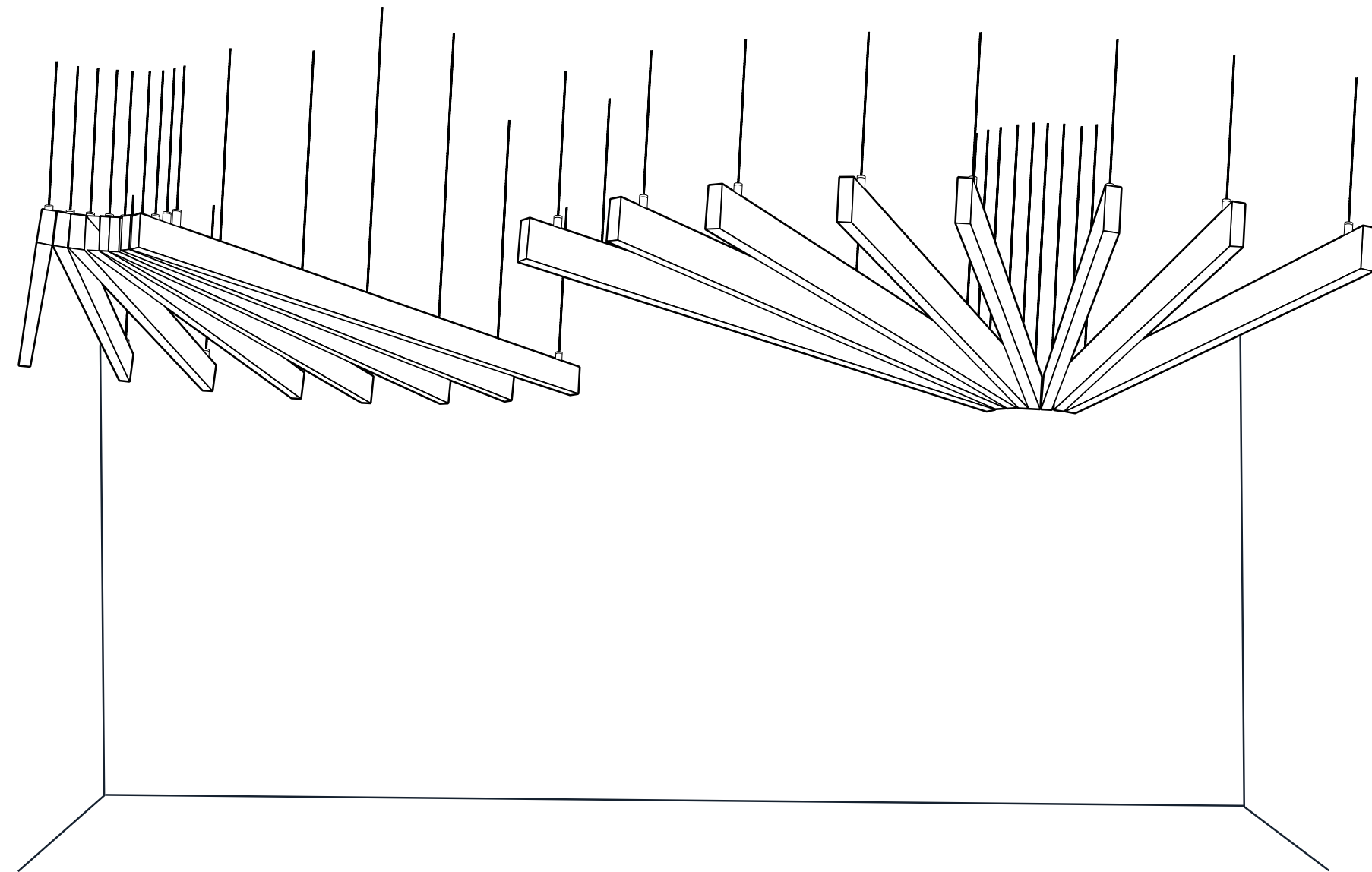
From open offices to performance halls, our team partners with you to determine the best layout for your space. Tailor your design aesthetic direction, spacing, mounting alignment, and to ensure a seamless blend of form and function.

Tailor Your Layout

To ensure the best fit and performance, consider the following information about your space:

- Overall ceiling dimensions and height
- Placement of lighting, HVAC, or sprinkler systems
- Desired coverage area or focal points
- Architectural drawings or photos (if available)
- Acoustic goals or problem areas

Plank™ adapts to your layout – structured, modular, and built to perform.



Spacing Strategy – Define the Grid. Direct the Performance.

Spacing with Plank™ is about precision

Close spacing offers full, continuous coverage – ideal for high-performance acoustic needs or clean, modern lines. Wider spacing lets the individual forms breathe, emphasizing the panel's architectural presence while allowing for creative lighting integration and visual breaks.

Performance Meets Architecture

Plank™ can be spaced and aligned in a variety of ways depending on layout goals:

- Tight Gap: Higher acoustic absorption, more uniform look
- Moderate Gap (6"–12"): Balanced rhythm, visual relief
- Wide Gap (12"+): Sculptural effect, ideal for focal areas.

Key Considerations

When determining spacing, consider:

- Desired acoustic impact (e.g. subtle dampening vs. high-performance)
- Architectural or mechanical constraints (lighting, ducts, etc.)
- Visual preferences for density and coverage
- Any inspiration or reference images

Let Plank™ bring structured harmony to your ceiling or wall.



* Standard Plank panels are modular in design and can be field-trimmed to accommodate unique ceiling conditions or edge details.

Mounting & Connections – Engineered for Ease. Built for Versatility.

SoundBlock™ panels are designed for straightforward, secure installation across a wide range of ceiling and wall applications. With a clean structural backing and multiple mounting options, each system is engineered to adapt to your project's technical and aesthetic needs.

Standard Mounting Options

We offer flexible mounting methods to suit various substrates and ceiling conditions:

- Direct-to-Deck: Use of mechanical fasteners for a clean, flush installation.
- Suspended Grid: Compatible with standard T-grid ceilings or Unistrut channel system - .
- Custom Mounting Plates or Frames: For high-ceiling installs or alignment with other ceiling systems.

Integration Considerations

To ensure a clean install and optimal performance, please consider details about:

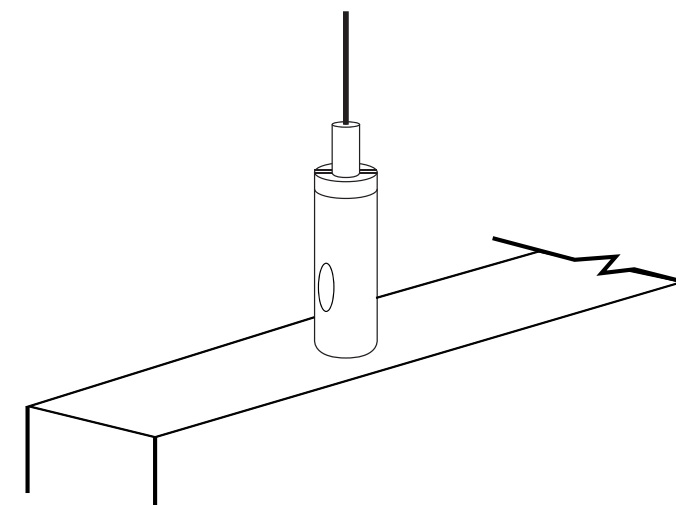
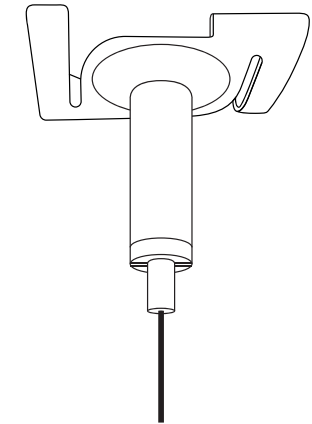
- Ceiling or wall type (e.g., drywall, concrete, open deck)
- Obstructions like lights, vents, or sprinkler heads
- Structural anchor points, grid layout, or beam spacing
- Desired gap or spacing between panels (if not continuous)
- Any additional integration requirements (lighting, signage, HVAC)

Plank™ is simple to install, solid in performance, and tailored to your project's needs.

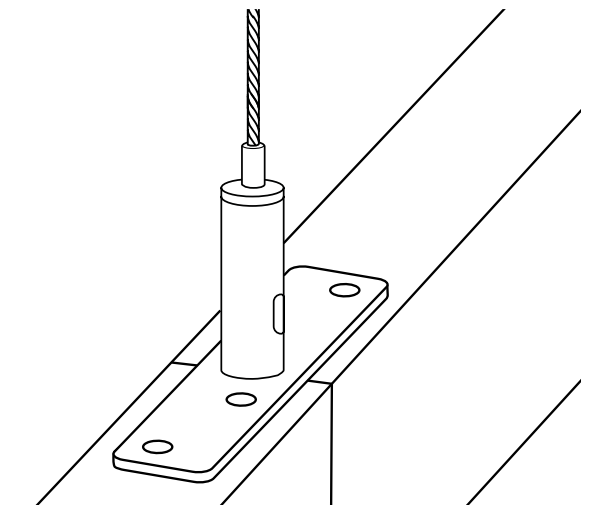
Mounting Option A



Mounting Option B



Plank Attachment

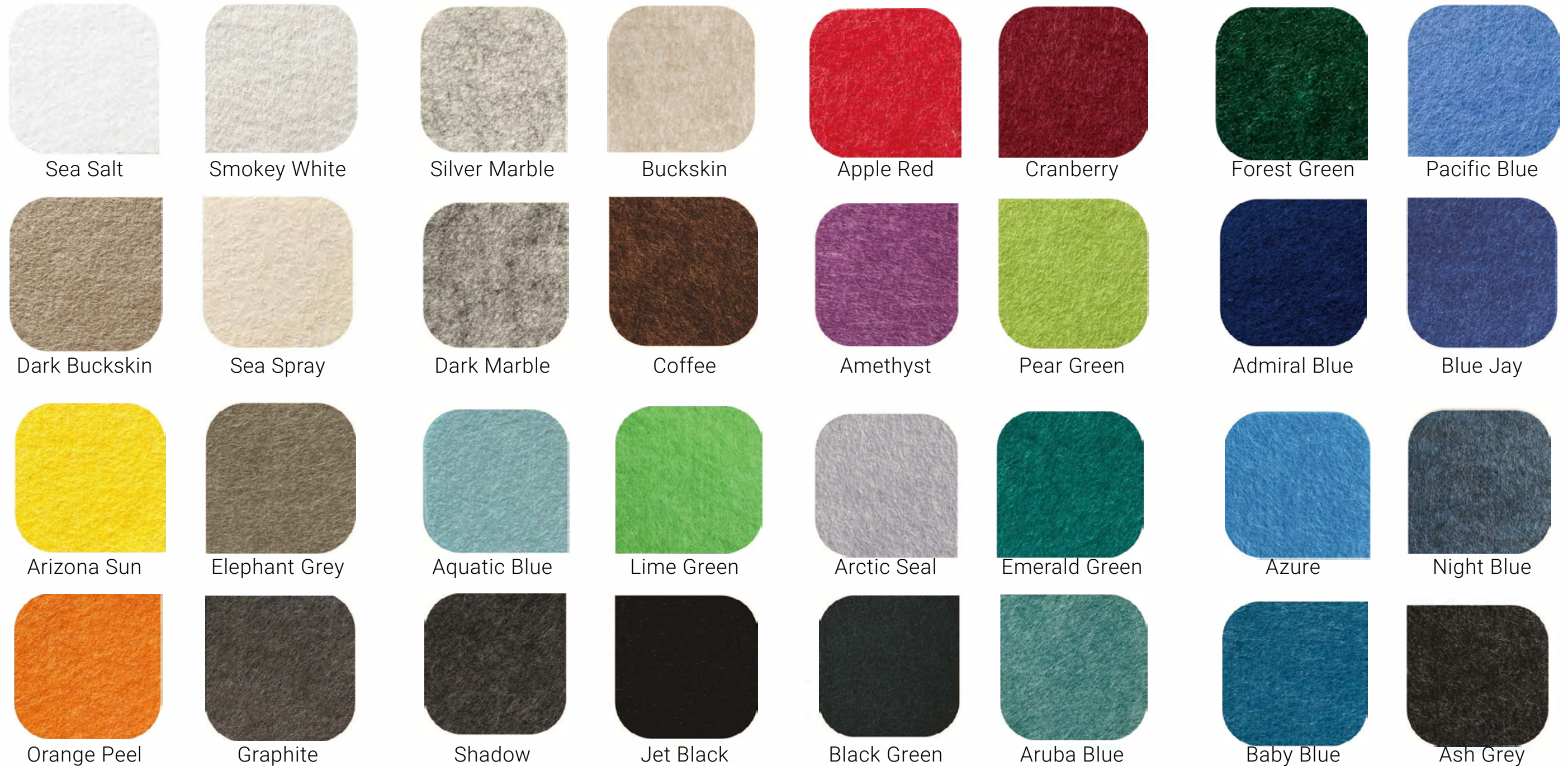


Joiner Plate

Joiner Plate attachments available where attaching the panels may be required

Color That Complements Every Curve

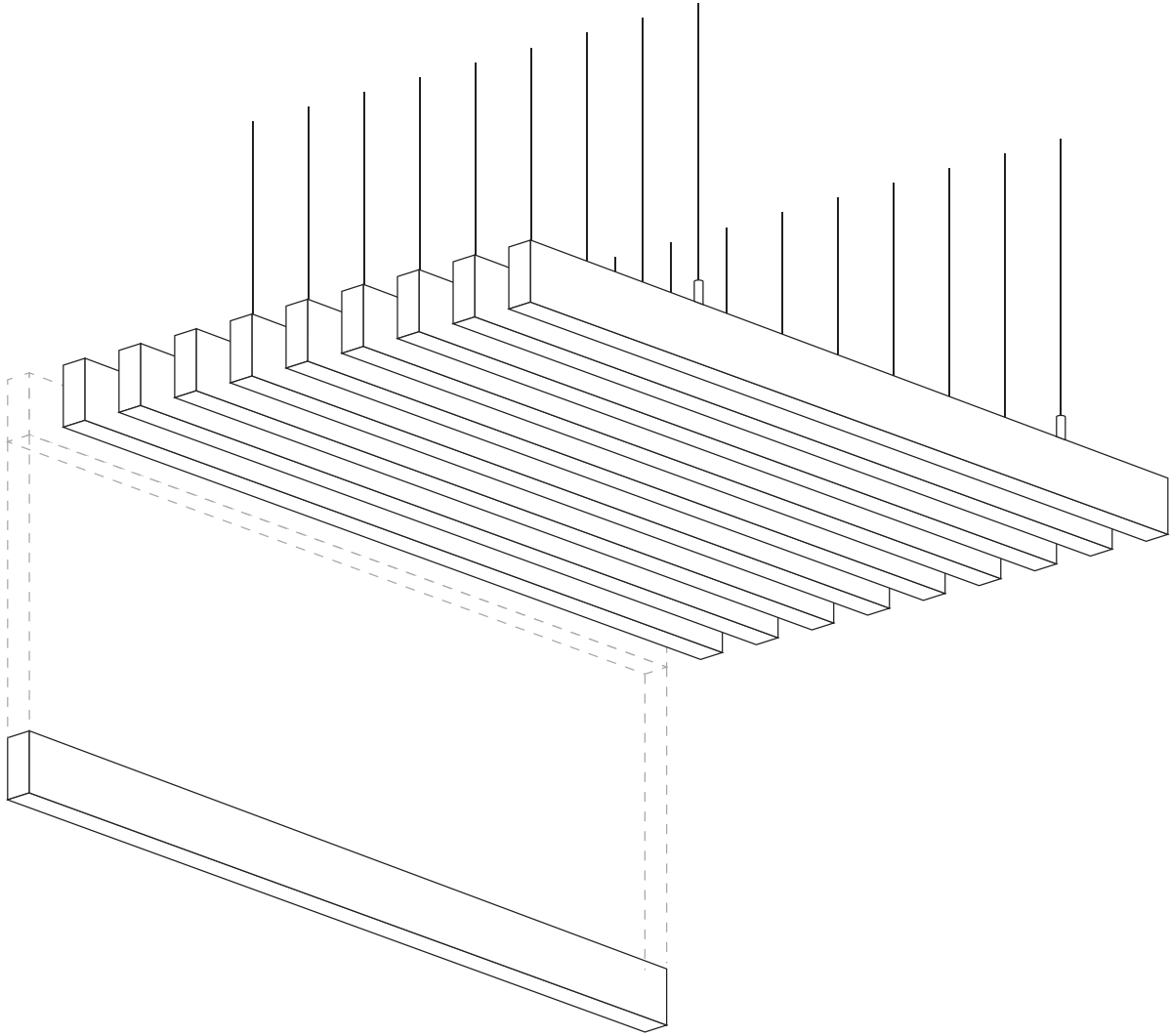
SoundCurrent™ is available in 32 curated standard colors, thoughtfully selected to elevate modern interiors and aesthetics.



Need Something More Specific? Custom color matching and expanded palette options are available upon request.
Let Color Complete The Form - And Your Vision

Dimensions and Specifications

ATTRIBUTE	DETAIL
Dimensions	2"W x 6"H Standard. Custom sizes available.
Material	Recycled PET felt, 9mm
Finish Options	ONNiT Full Range of Colors
Mounting	Suspended via aircraft cable system
Weight	~0.6 lb per Sq. Ft. (varies by shape)
NRC Rating	Typically 0.7 – 1.0 (varies with configuration)
Fire Rating	ASTM E84 Class A
Sustainability	75% recycled content, fully recyclable





Sustainability + Compliance

- Made from low-VOC, 100% recyclable PET
- Made using OEKO-TEX®
- Made using Global Recycled Standard (GRS) certified materials



Acoustic Testing Data

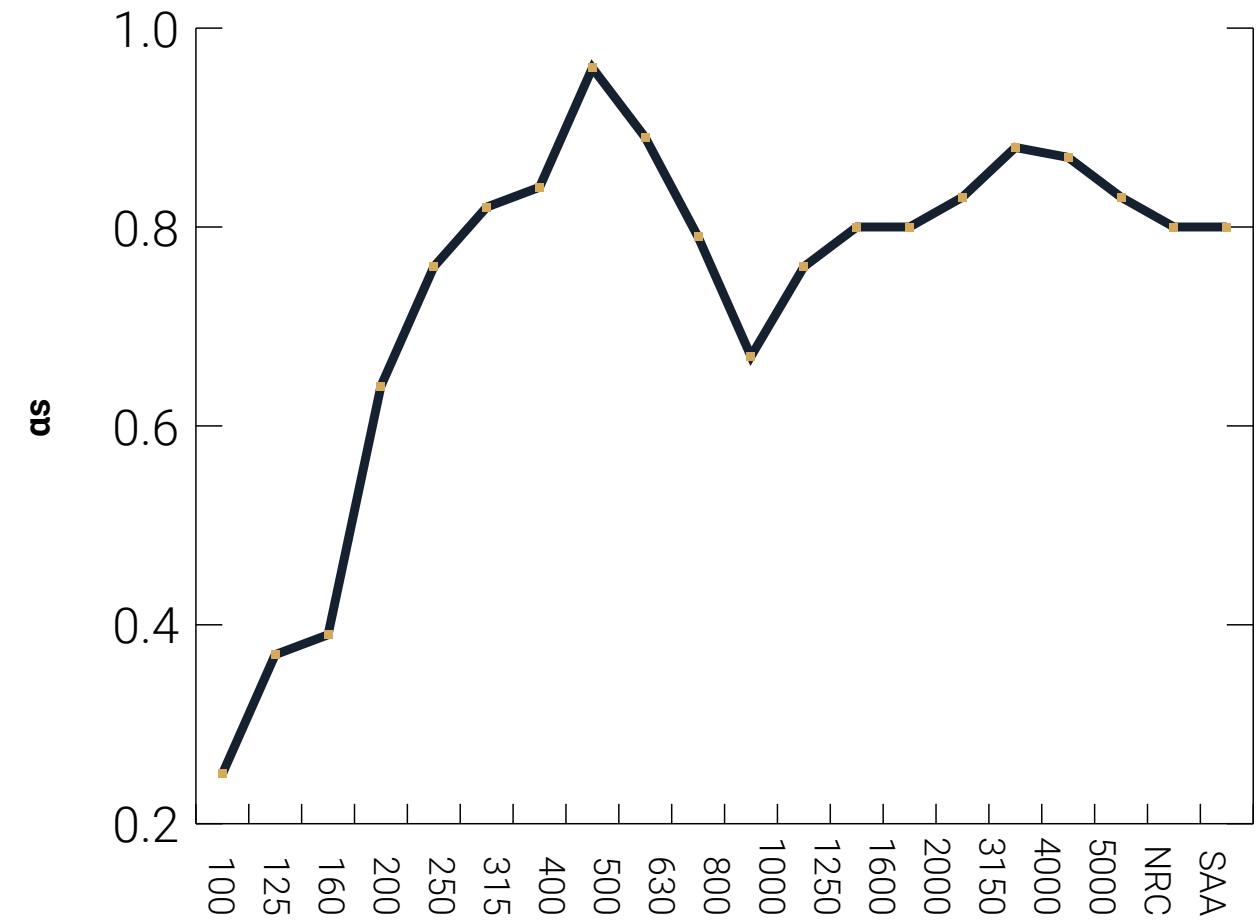
Volume of the reverberation room	Vs, m3	240	Installation Type:	E200
Room temperature	t1, °C	13	t2, °C	13
Relative humidity of test rooms	H1, %	70	H2, %	70

Sample description:

Sample Size (width*length), mm	1220*2440	Thickness, mm	9.0
Edge treatment	/	Mass, kg/m ²	2.05
Test Area, m ²	10.8		

intertek
Total Quality. Assured.

Frequency (Hz)	αs
100	0.25
125	0.37
160	0.39
200	0.64
250	0.76
315	0.82
400	0.84
500	0.96
630	0.89
800	0.79
1000	0.67
1250	0.76
1600	0.80
2000	0.80
2500	0.83
3150	0.88
4000	0.87
5000	0.83
NRC	0.80
SAA	0.80





info@onnitsystems.com

(801) 619-7044



*Visit our online form and
configuration system*