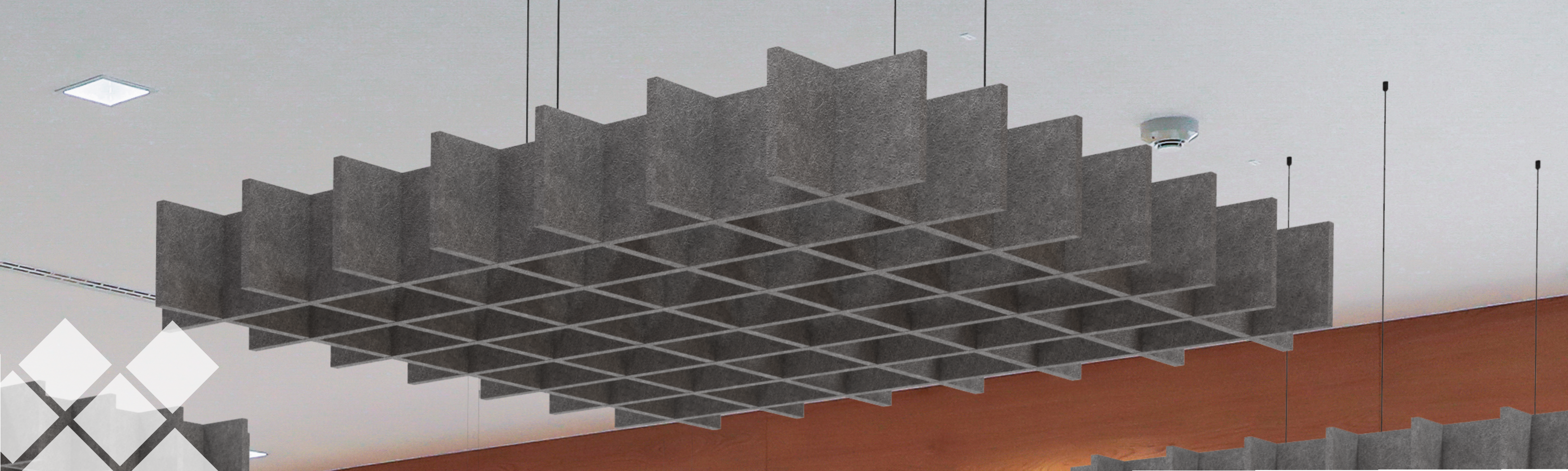




MatrixTM

*Intersecting
Acoustic Grid System*



Matrix™: Intersecting Acoustic Grid System

Order. Rhythm. Clarity.

Matrix ceiling clouds showcase a precise, intersecting grid that brings structure and rhythm to any ceiling. With a modern, architectural aesthetic, Matrix enhances acoustic performance while creating visual order. Ideal for both collaborative and quiet environments, Matrix offers clean design with powerful acoustic impact.

Whether installed as a single feature or in repetition, Matrix provides visual balance and advanced sound control for open interiors.

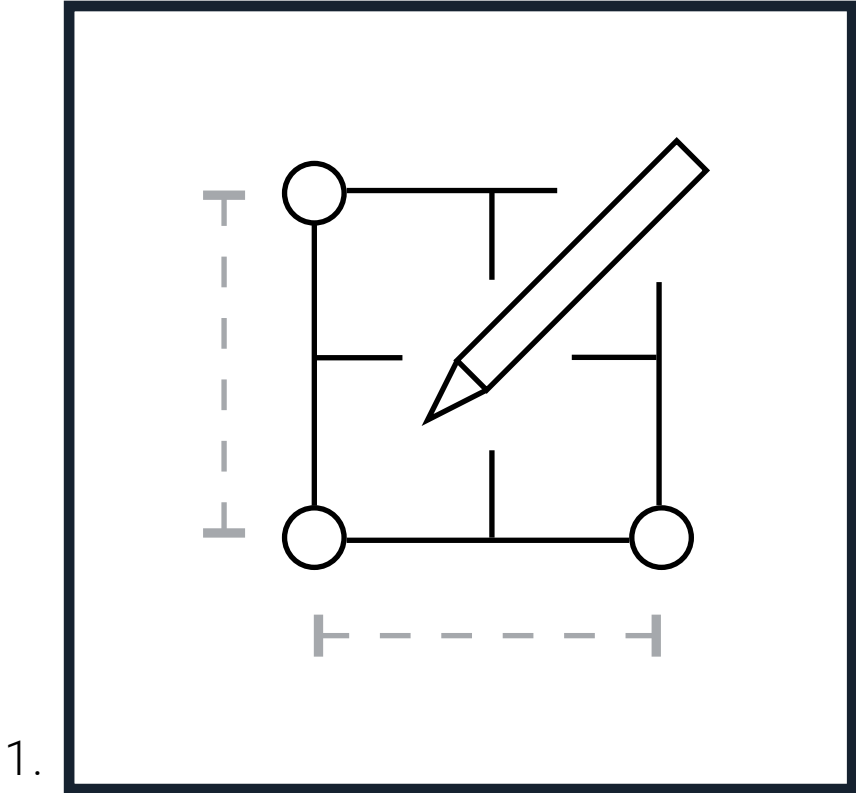
Key Features

- Intersecting baffle structure in a clean grid layout
- Architectural rhythm that adds structure to any space
- Highly effective acoustic absorption with NRC up to 1.00
- Made from 60%+ recycled PET felt
- Modular for easy configuration and install
- Adjustable aircraft cable suspension system
- Class A fire rating (ASTM E84)
- Custom sizes and finishes available

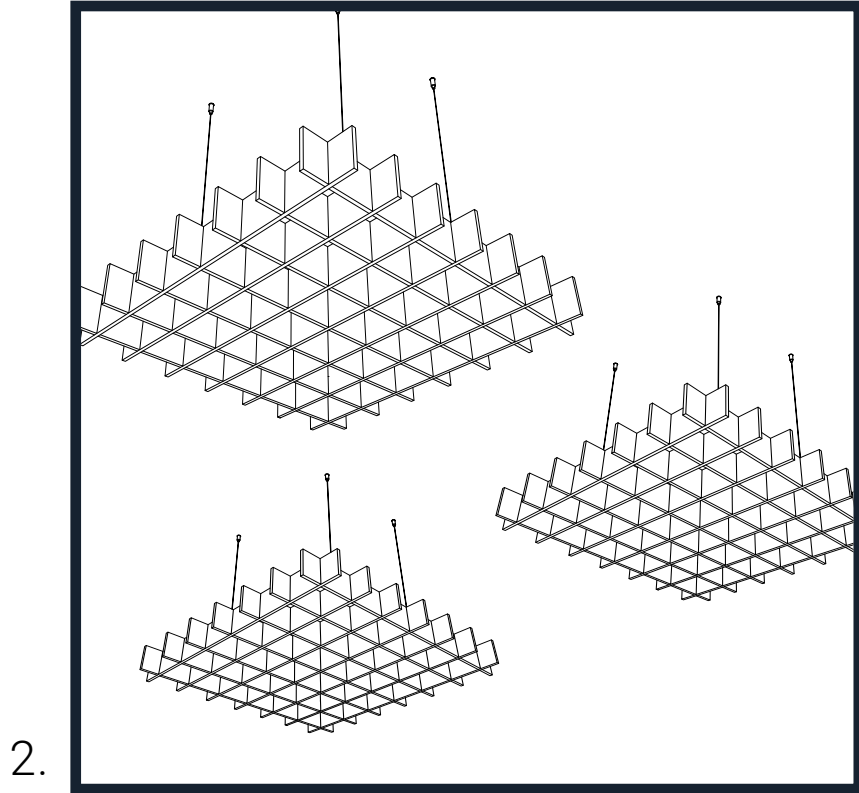


Design Your Space

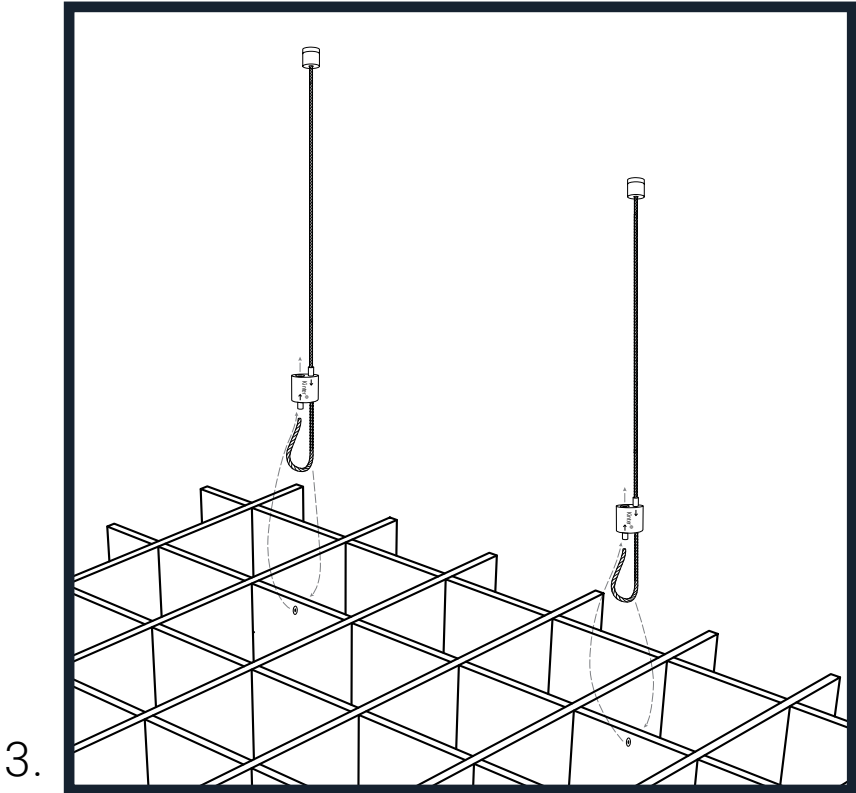
1 Ceiling layout and grid density



2 Spacing between multiple Matrix units



3 Suspension height and mounting preferences



4 Color selection



Design Your Layout – Ordered Geometry. Acoustic Precision.

Matrix™ brings quiet order to bold spaces. Its interlaced form delivers rhythm and acoustic control in a single floating element. Whether centered or repeated in rows, Matrix adds structure without visual clutter.

Collaborate with Our Design Team

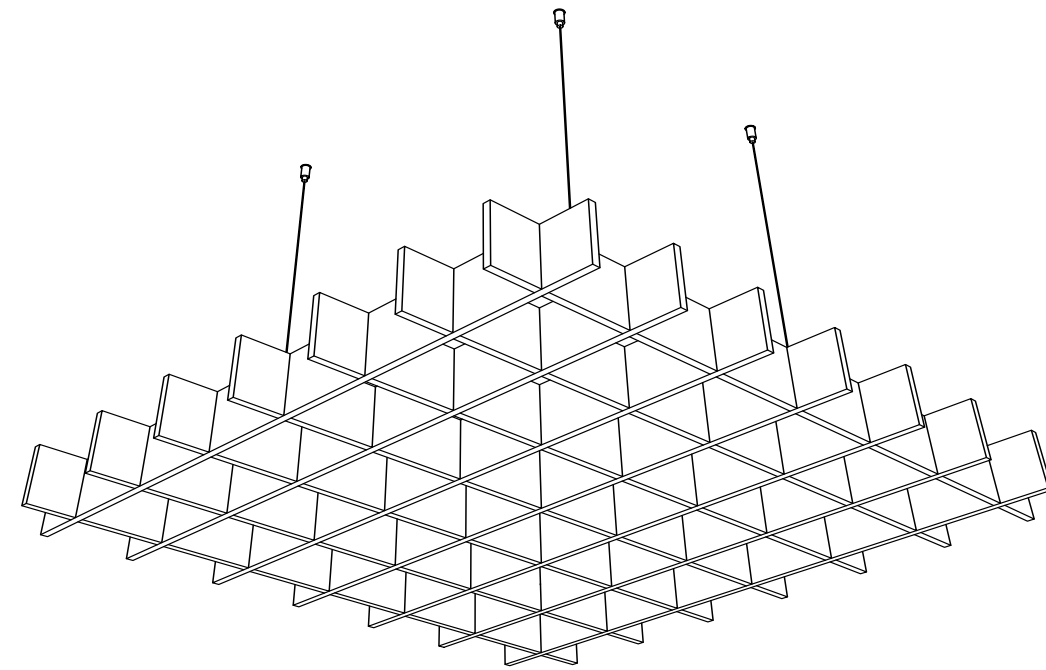
We'll help define your grid layout, spacing, and system configuration to match the size, function, and feel of your environment.

Already Have a Vision?

Send us your layout sketch or concept – we'll help you translate it into a Matrix grid system customized for your needs.

Tailor Your Layout

- Ceiling height and grid alignment preferences
- Room dimensions and zone layouts
- Placement of lighting, ducts, sprinklers or problem areas
- Desired acoustic absorption goals



Spacing Strategy – Rhythm Through Repetition

The Matrix™ layout shines in repetition – spacing defines how the system interacts with light, space, and sound.

Spacing Patterns

- **Edge-to-Edge:** Continuous ceiling coverage with maximum acoustic absorption
- **Moderate Gaps (6–12”):** Balanced openness and coverage
- **Wide Gaps (12”+):** Distinct modules that float independently

Considerations

- Desired ceiling coverage and visual rhythm
- Coordination with mechanical or architectural systems
- Acoustic absorption goals
- Visual hierarchy (focal points vs. uniformity)

Matrix™ is designed to bring acoustic order – we’ll help you dial in the pattern.



Mounting & Connections – Structure Made Simple

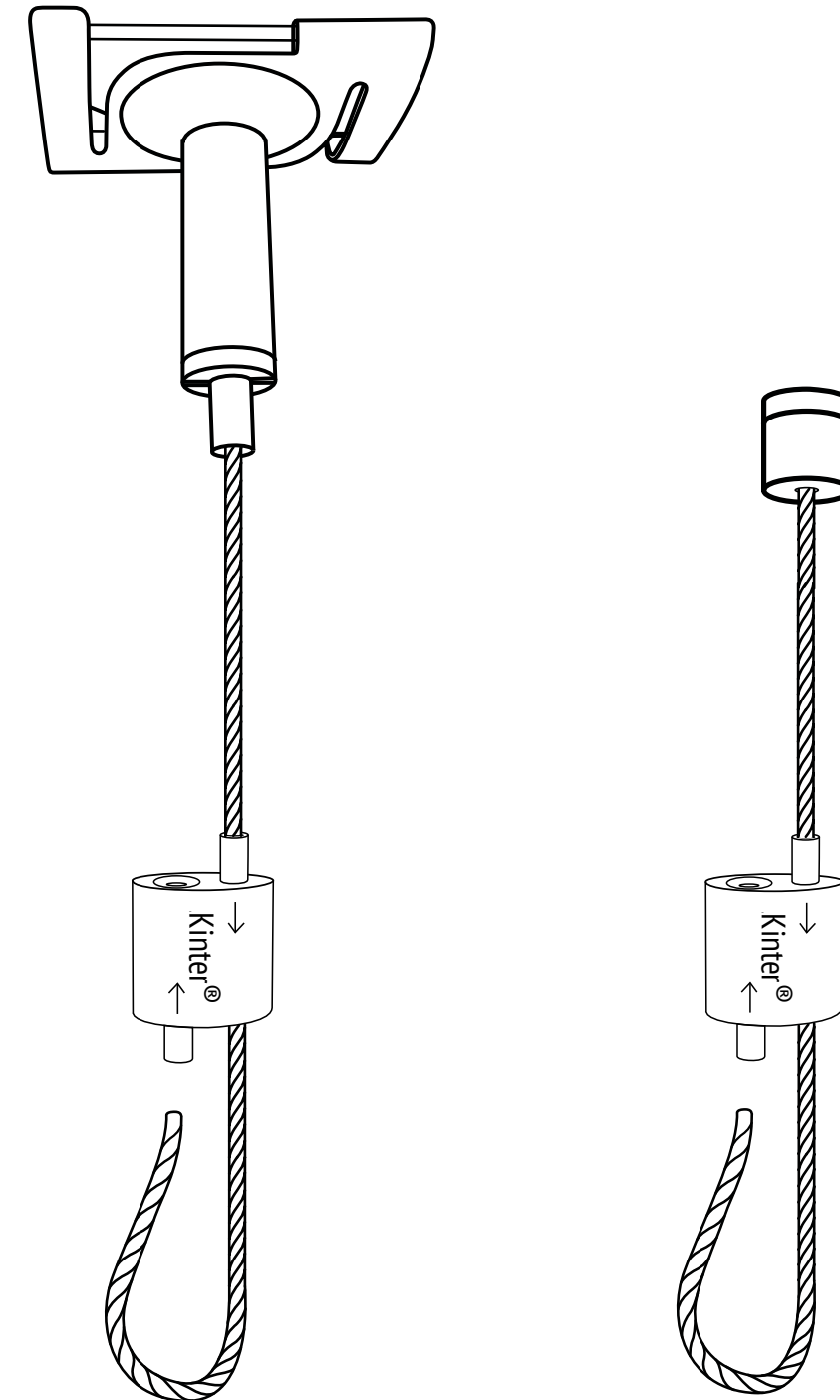
Matrix™ was designed for modular install. Each unit ships pre-assembled with connection points for efficient ceiling mounting.

Mounting Options

- Adjustable aircraft cable suspension system
- Deck or T-bar compatible mounting hardware
- Pre-marked hanging points on each grid

Connection Notes

- Installs as a standalone unit or in a series
- Simple top-mount cable clips for clean visuals
- Optional custom bracket kits for specialized ceiling types
- CAD diagrams and install documents available



Color That Aligns with Structure

Matrix™ is available in 32 curated standard colors to match the clean lines and crisp forms it brings to the ceiling. Whether subtle or bold, your finish selection enhances the spatial rhythm and function.



Sea Salt



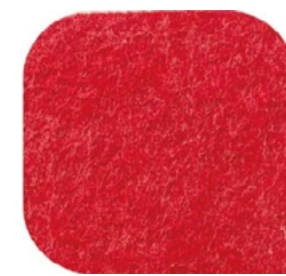
Smokey White



Silver Marble



Buckskin



Apple Red



Cranberry



Forest Green



Pacific Blue



Dark Buckskin



Sea Spray



Dark Marble



Coffee



Amethyst



Pear Green



Admiral Blue



Blue Jay



Arizona Sun



Elephant Grey



Aquatic Blue



Lime Green



Arctic Seal



Emerald Green



Azure



Night Blue



Orange Peel



Graphite



Shadow



Jet Black



Black Green



Aruba Blue



Baby Blue



Ash Grey

Need a match? Custom colors and finishes available upon request.

Dimensions and Specifications

ATTRIBUTE	DETAIL
Dimensions	96" x 96" x 12" Standard size
Material	Rigid PET felt, 9mm thickness
Finish Options	ONNiT Standard Color Palette
Mounting	Aircraft cable suspension system
Weight	Approx. 1.2 lb per sq. ft.
NRC Rating	Up to 1.00 (configuration dependent)
Fire Rating	ASTM E84 Class A
Sustainability	75% recycled content, recyclable



Use Cases



Collaboration zones



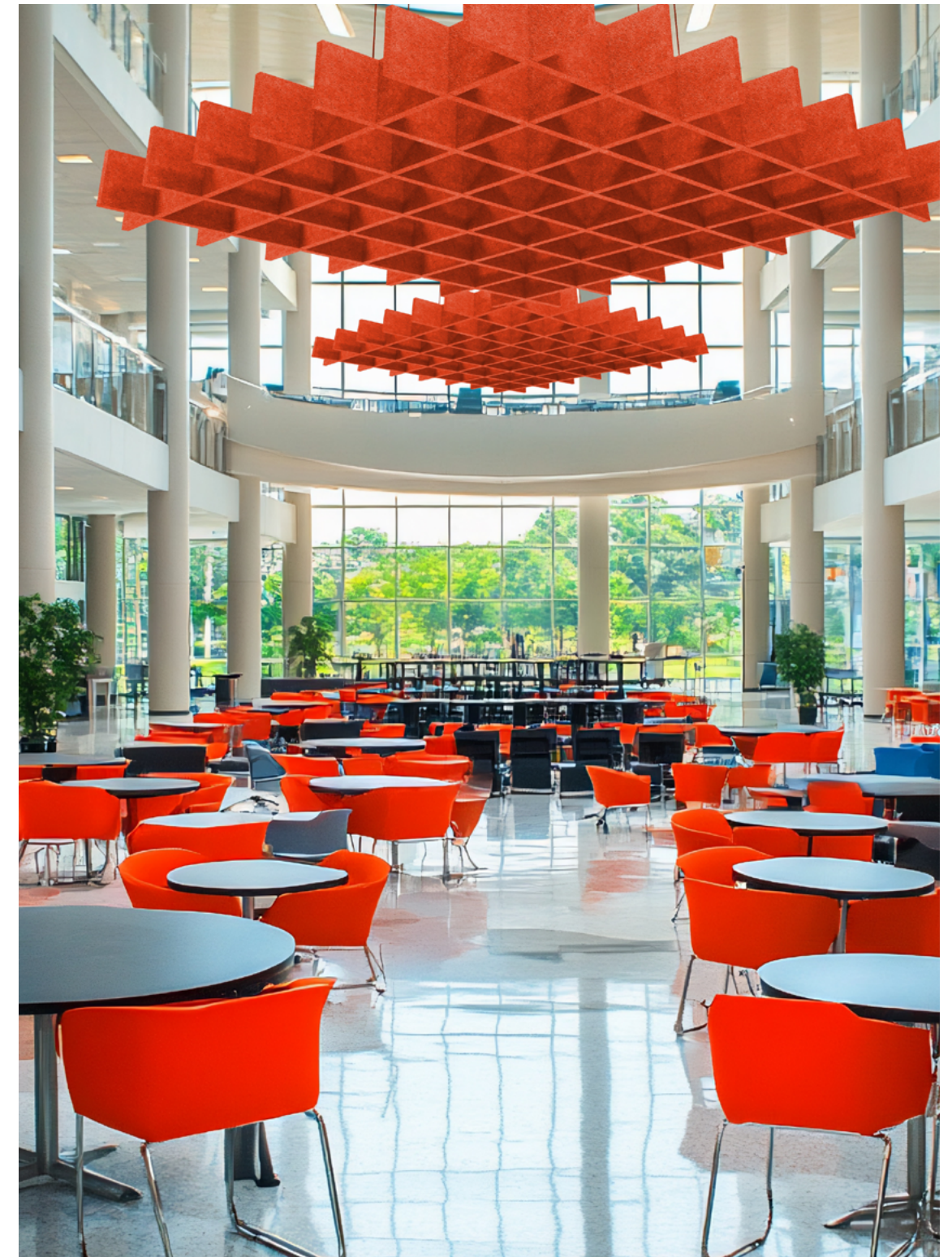
Focused workspaces



Education & training centers



Public lobbies and lounges



High ceiling installations in offices or retail

Sustainability + Compliance

- 75% recycled PET, fully recyclable content
- Made from Low-VOC, formaldehyde-free
- Made using OEKO-TEX® and GRS-certified materials
- Eligible for LEED MR and EQ credits



A modern office interior with light wood plank flooring, white walls, and large windows. A large green plant is visible on the left. The ceiling features a black grid structure. In the background, there are glass-walled rooms and a dining area with a table and chairs.

Acoustic Testing Data

- NRC values range from 0.65–1.00
- Independent lab testing (Intertek)
- Based on full-unit and grouped-array configurations



info@onnitsystems.com

(801) 619-7044



*Visit our online form and
configuration system*