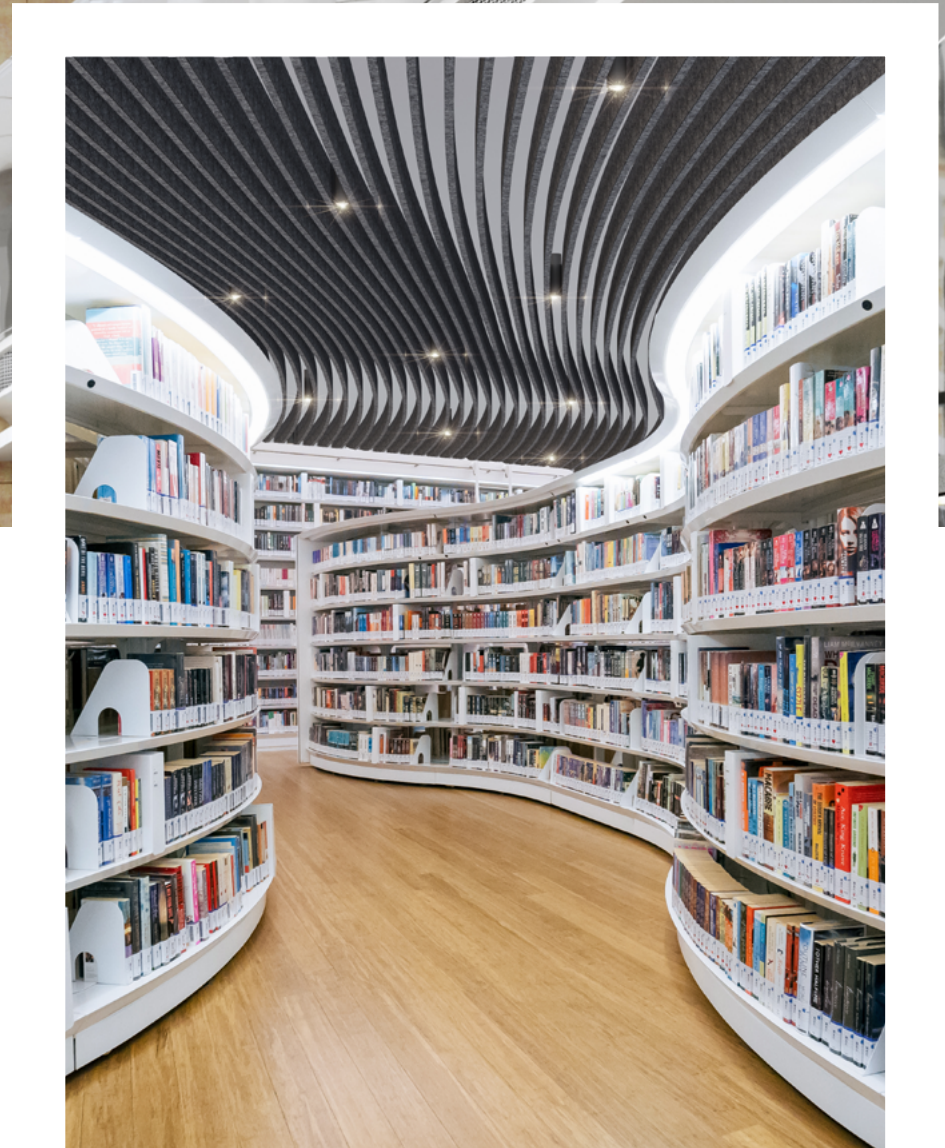
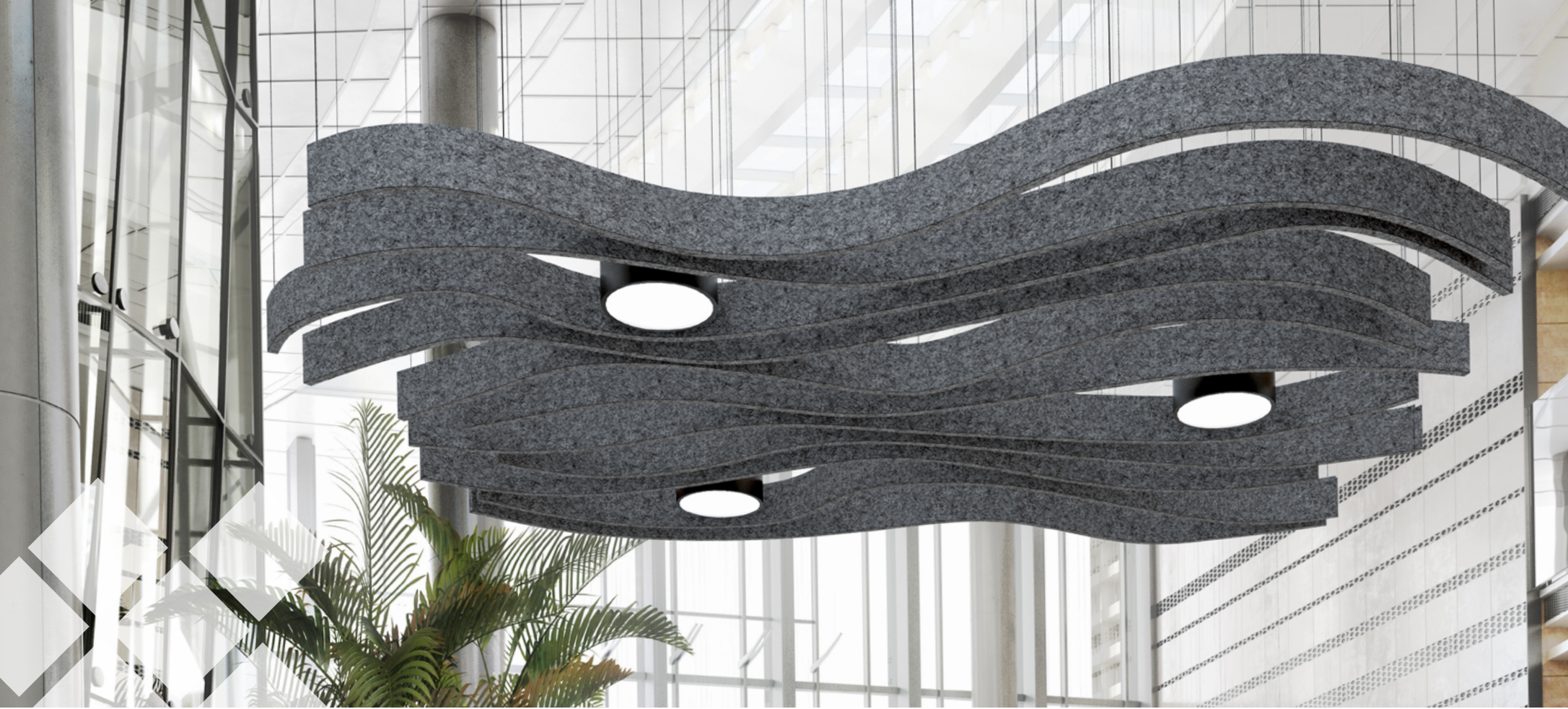




CurrentTM

*Sculpted Acoustic
Ceiling Elements*



Current™: Sculpted Acoustic Ceiling Elements

Fluid forms. Signature style. Sonic control.

Current™ flows above with sculpted forms, bringing artistic expression and acoustic performance to any space. Designed for designers, these ceiling-suspended acoustic elements enable endless creativity with curved, organic aesthetics and tailored acoustics.

Key Features

- Curved elements crafted to echo the flow of your architectural vision
- Custom layouts, patterns, and configurations
- Made from 60%+ recycled PET felt
- Easy aircraft cable suspension system
- Modular and scalable components
- Excellent acoustic performance with high NRC ratings 0.3 – 1.0
- Class A fire rating (ASTM E84)



Design Your Space

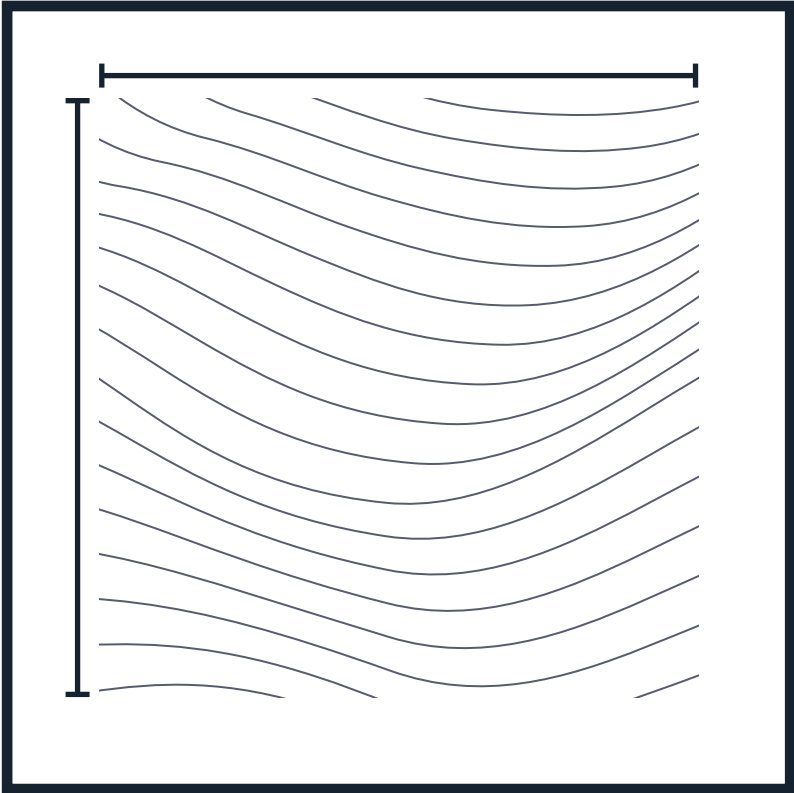
1 Desired Layout and Ceiling Coverage

2 Spacing Strategy

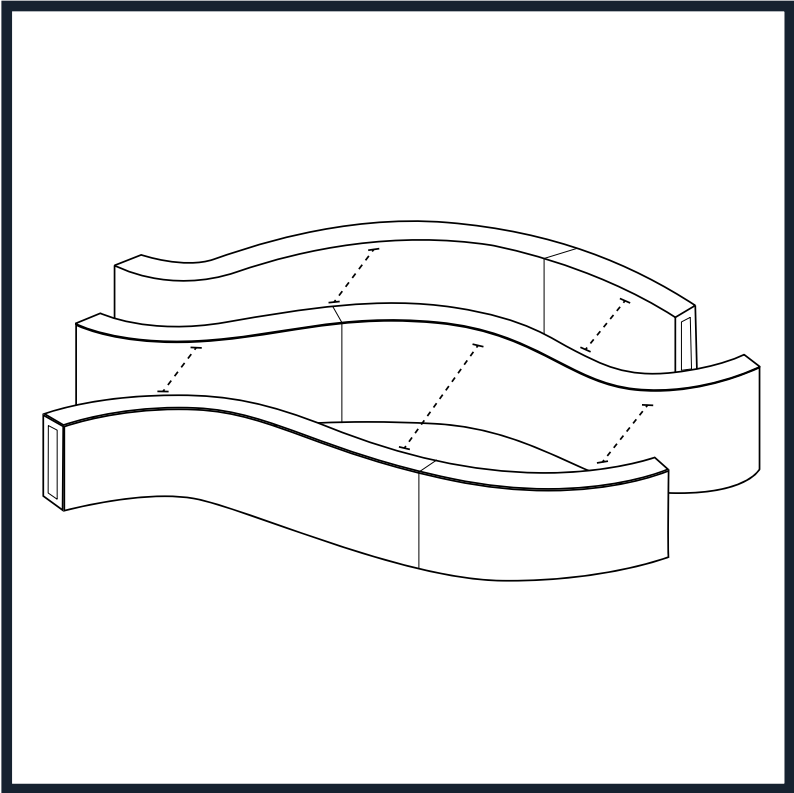
3 Mounting and Connection Preferences

4 Color Selection

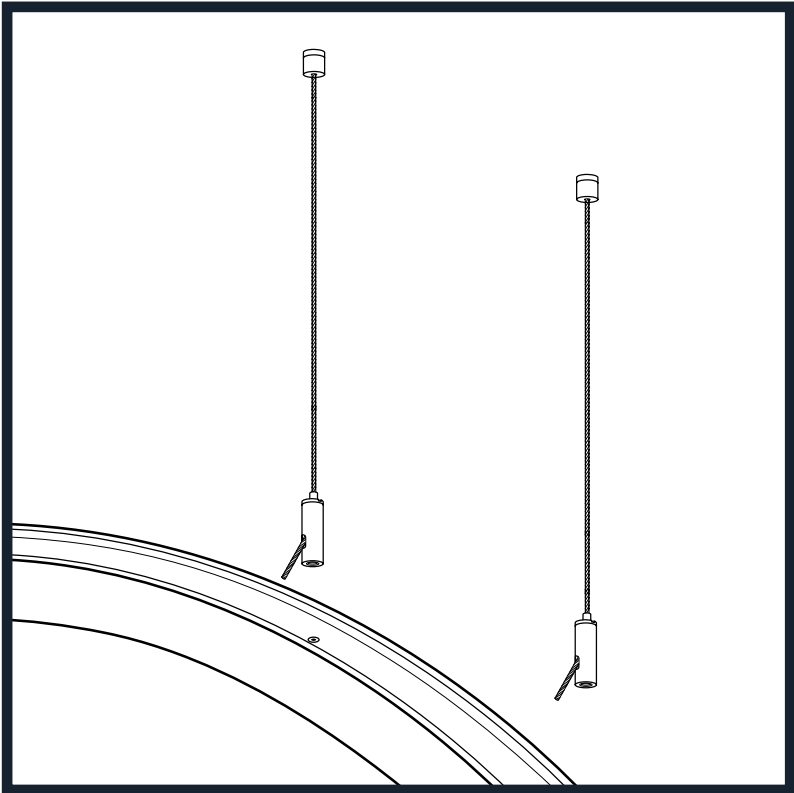
1.



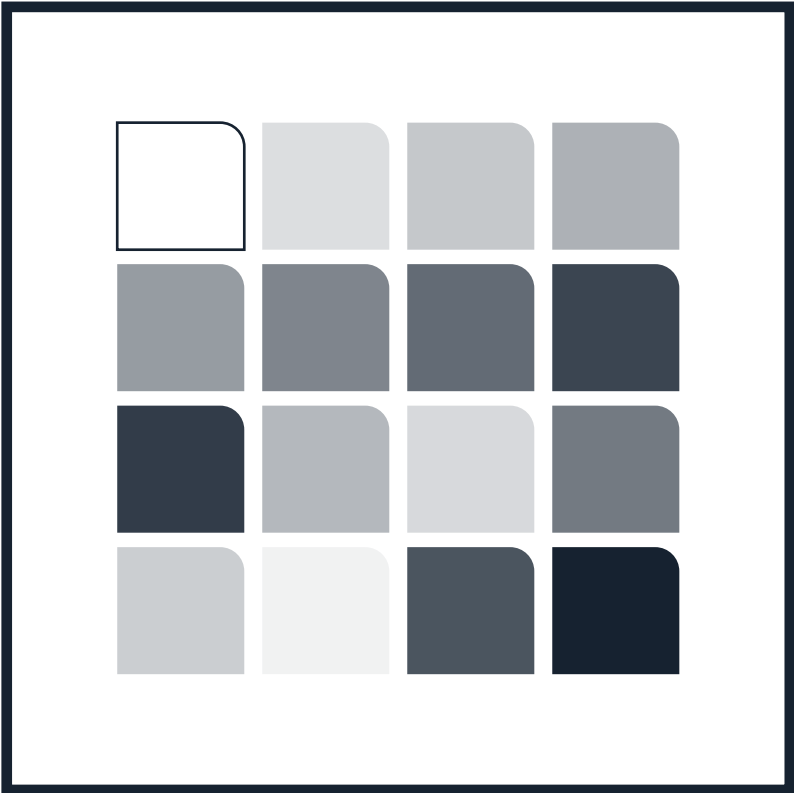
2.



3.



4.



Design Your Layout – Guided by Flow. Shaped for Your Space.

Current™ is defined by motion — sculpted ceiling forms inspired by the natural rhythm of water and air. Each installation is an opportunity to transform your space into an immersive acoustic experience.

Collaborate with Our Design Team

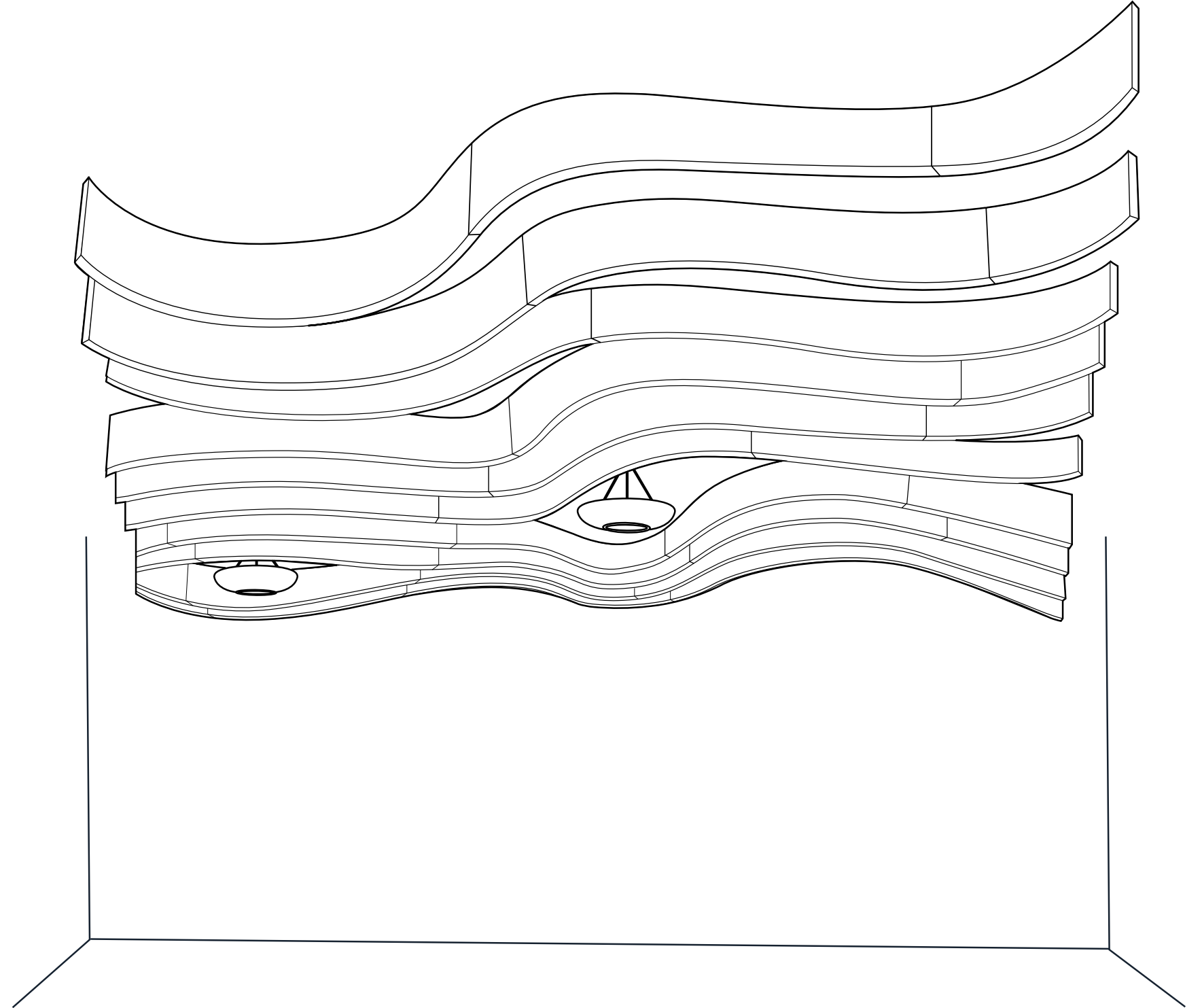
Whether you're envisioning a subtle drift or a dramatic wave, our design team will work closely with you to explore layout options and develop a custom solution that flows seamlessly within your space.

Tailor Your Layout

To ensure the best fit and performance, consider the following information about your space:

- Overall ceiling dimensions and height
- Placement of lighting, HVAC, or sprinkler systems
- Desired coverage area or focal points
- Architectural drawings or photos (if available)
- Acoustic goals or problem areas

Let Current™ flow where your design leads. We'll help shape it into reality.



Spacing Strategy – Balance Form, Flow, and Function

The spacing of Current™ ceiling forms is more than a visual choice — it defines the rhythm of the design and influences how sound is absorbed across your space.

Aesthetic Flow

Wider spacing creates a more open, airy feel — letting each sculpted form make a bold, individual statement. Tighter spacing produces a more continuous and immersive ceiling effect, ideal for spaces seeking stronger visual or acoustic sound absorption.

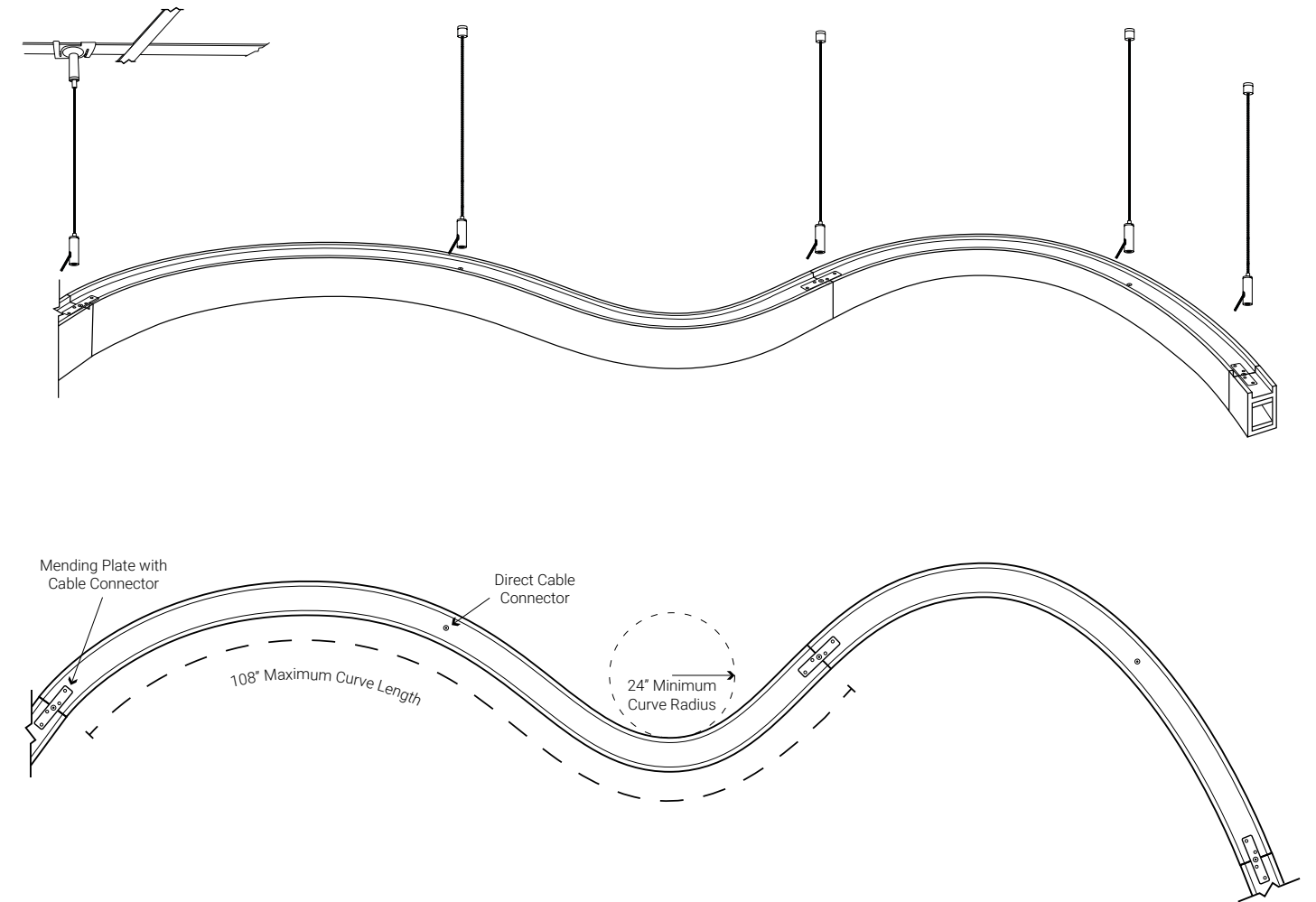
Our team can guide you in selecting a spacing rhythm that enhances the movement of your layout while complementing lighting, structural elements, and existing architectural lines.

Key Considerations

When thinking about spacing, please consider the following:

- Desired acoustic impact (e.g. subtle dampening vs. high-performance)
- Architectural or mechanical constraints (lighting, ducts, etc.)
- Visual preferences for density and coverage
- Any inspiration or reference images

Current™ thrives on thoughtful spacing.
We'll help you get it just right



***KEY NOTE** – Structurally curves are limited to a 24" radius and a 108" max curve length.

Mounting & Connections – Designed for Simplicity. Built for Precision.

Every Current™ form is engineered for clean suspension and easy integration with a wide range of ceiling types and project conditions.

Standard Suspension System

- Aircraft Cable Suspension: All Current™ forms are suspended using aircraft cable kits that allow for vertical adjustability and level precision.
- Quick-Connect Hardware: Tool-free cable clips make installation fast, secure, and clean.
- Minimal Touchpoints: Designed for minimal visual interruption, keeping the focus on the curves and flow of the forms.

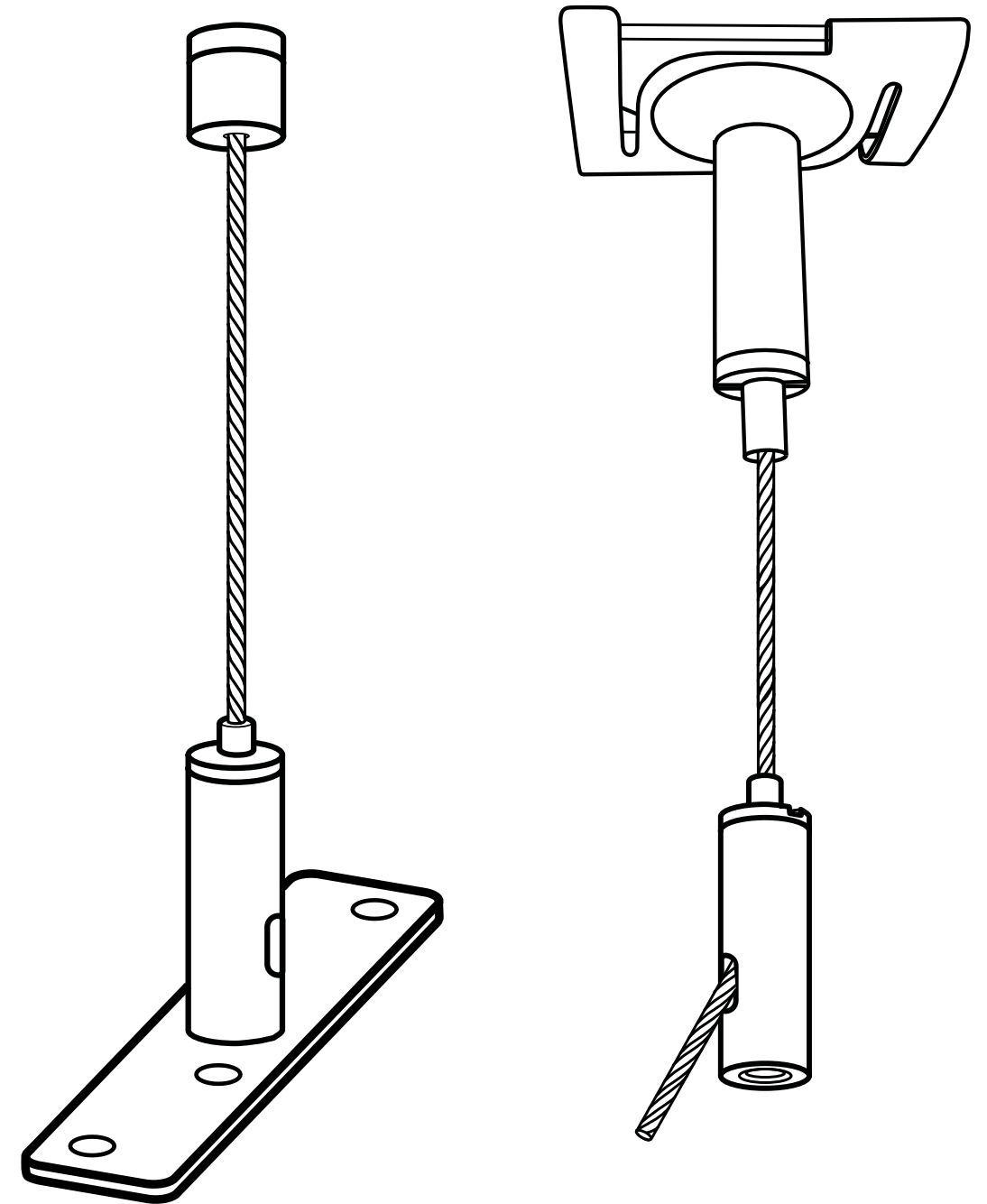
Connection Considerations

Each Current™ form is self-contained but can be:

- Individually Suspended for isolated visual impact
- Series-Connected using hidden joiners for seamless flow across multiple units

We'll help you decide the ideal approach based on:

- Your desired ceiling coverage
- The movement and continuity of forms
- Accessibility or service routes in the ceiling space



Mounting & Connections – Designed for Simplicity. Built for Precision.

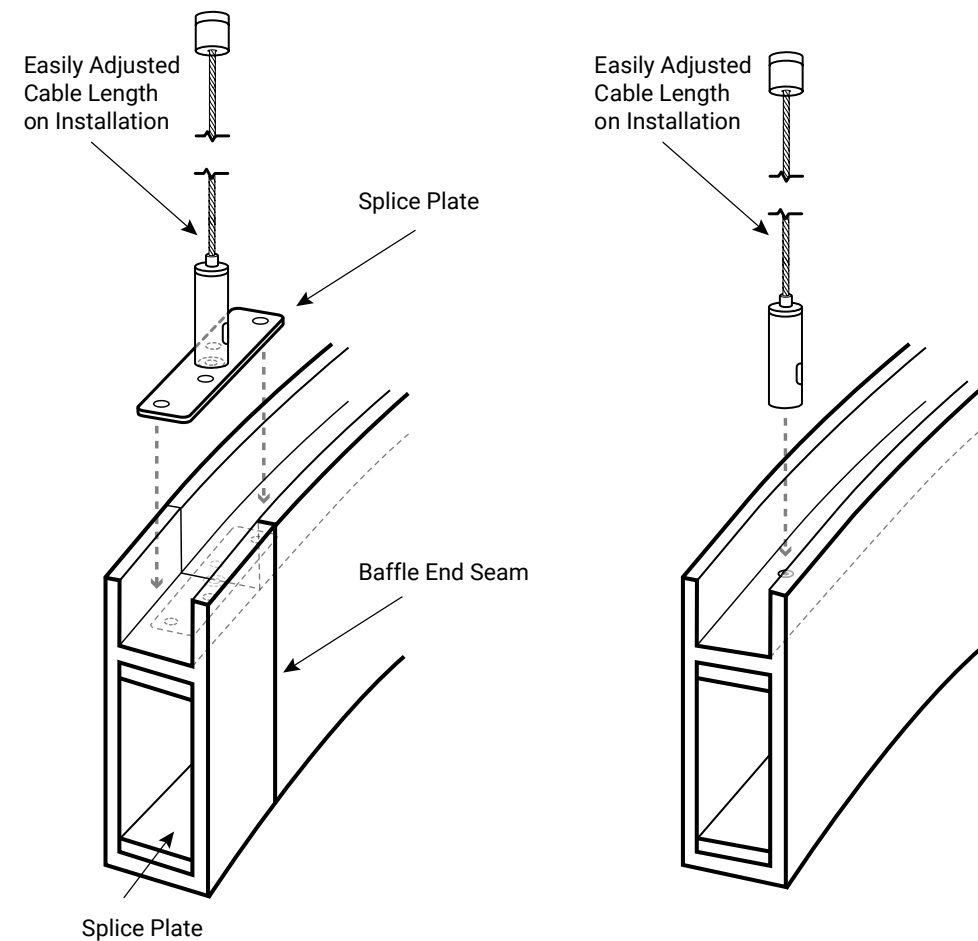
Mounting Options

These are the recommended mounting options for this product.

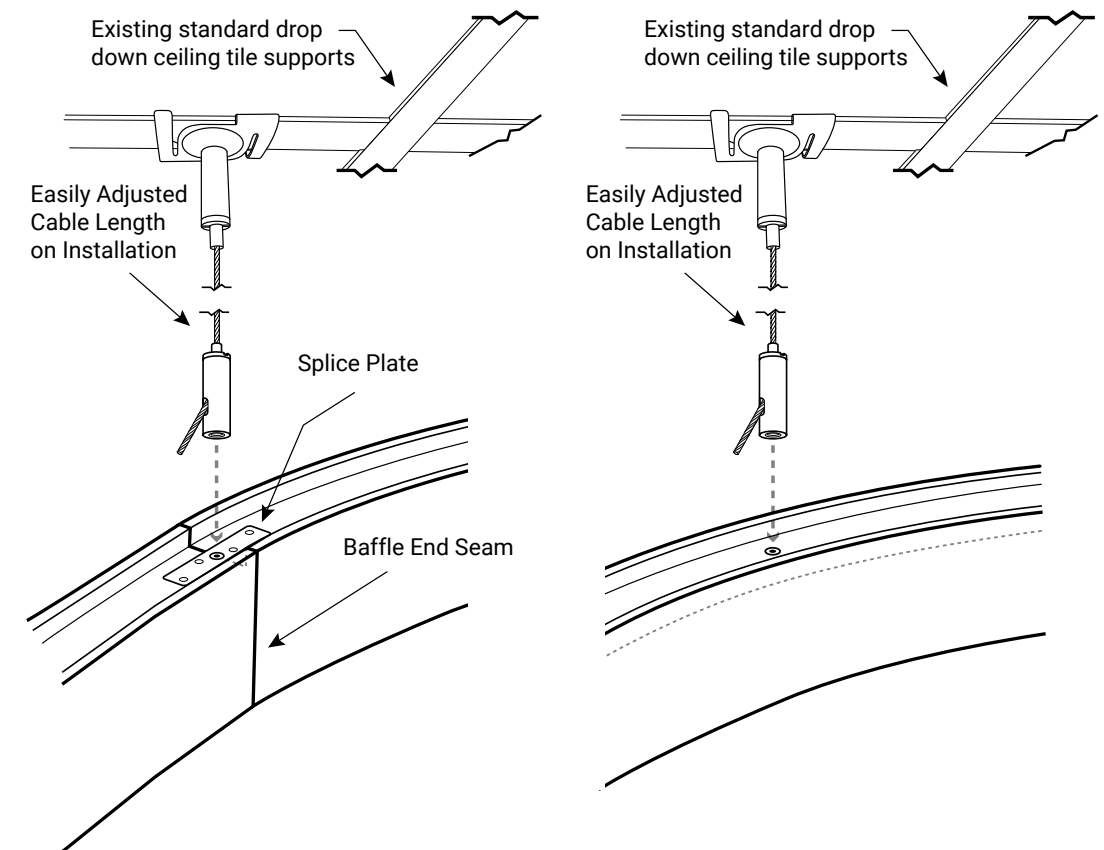
You can choose from:

OPTION A DIRECT TO DECK

At each joint there will be a splice plate attachment to the baffle with the ONNiT Systems Top Cable mount attachment.



OPTION B T-GRID OPTION



Color That Complements Every Curve

Current™ is available in 32 curated standard colors, thoughtfully selected to elevate modern interiors and aesthetics.



Sea Salt



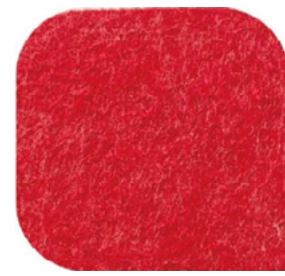
Smokey White



Silver Marble



Buckskin



Apple Red



Cranberry



Forest Green



Pacific Blue



Dark Buckskin



Sea Spray



Dark Marble



Coffee



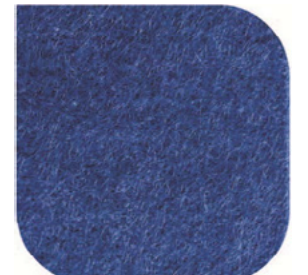
Amethyst



Pear Green



Admiral Blue



Blue Jay



Arizona Sun



Elephant Grey



Aquatic Blue



Lime Green



Arctic Seal



Emerald Green



Azure



Night Blue



Orange Peel



Graphite



Shadow



Jet Black



Black Green



Aruba Green



Baby Blue

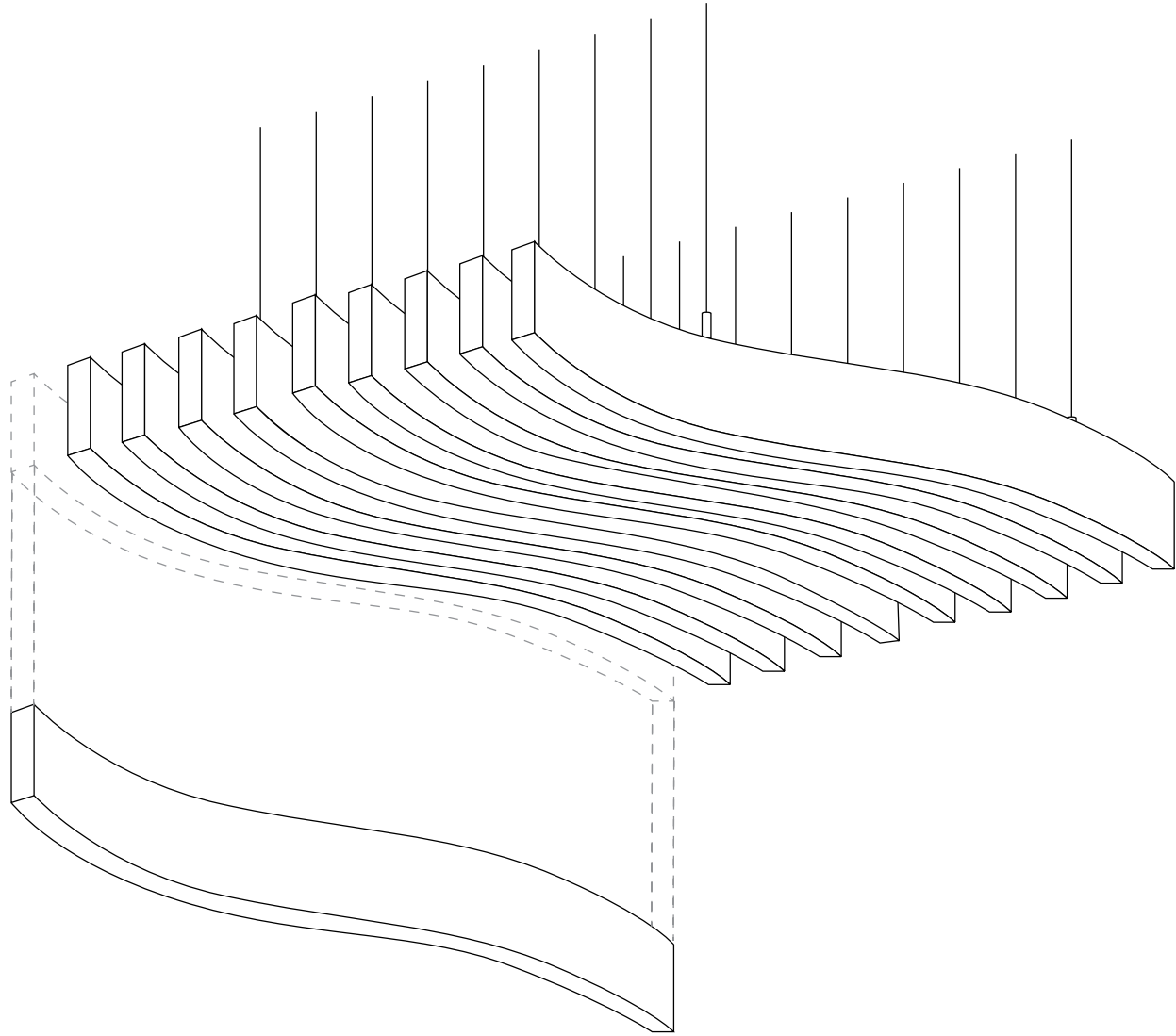


Ash Grey

Need Something More Specific? Custom color matching and expanded palette options are available upon request.
Let Color Complete The Form - And Your Vision

Dimensions and Specifications

ATTRIBUTE	DETAIL
Dimensions	Custom per form and project
Material	Recycled PET felt, 9mm thickness in tailored height options
Finish Options	ONNiT Full Range of Colors
Mounting	Suspended via aircraft cable system
Weight	~0.6 lb per Sq. Ft. (varies by shape)
NRC Rating	Typically 0.7 – 1.0 (varies with configuration)
Fire Rating	ASTM E84 Class A
Sustainability	75% recycled content, fully recyclable





Sustainability + Compliance

- Made from low-VOC, 100% recyclable PET
- Made using OEKO-TEX®
- Made using Global Recycled Standard (GRS) certified materials



Acoustic Testing Data

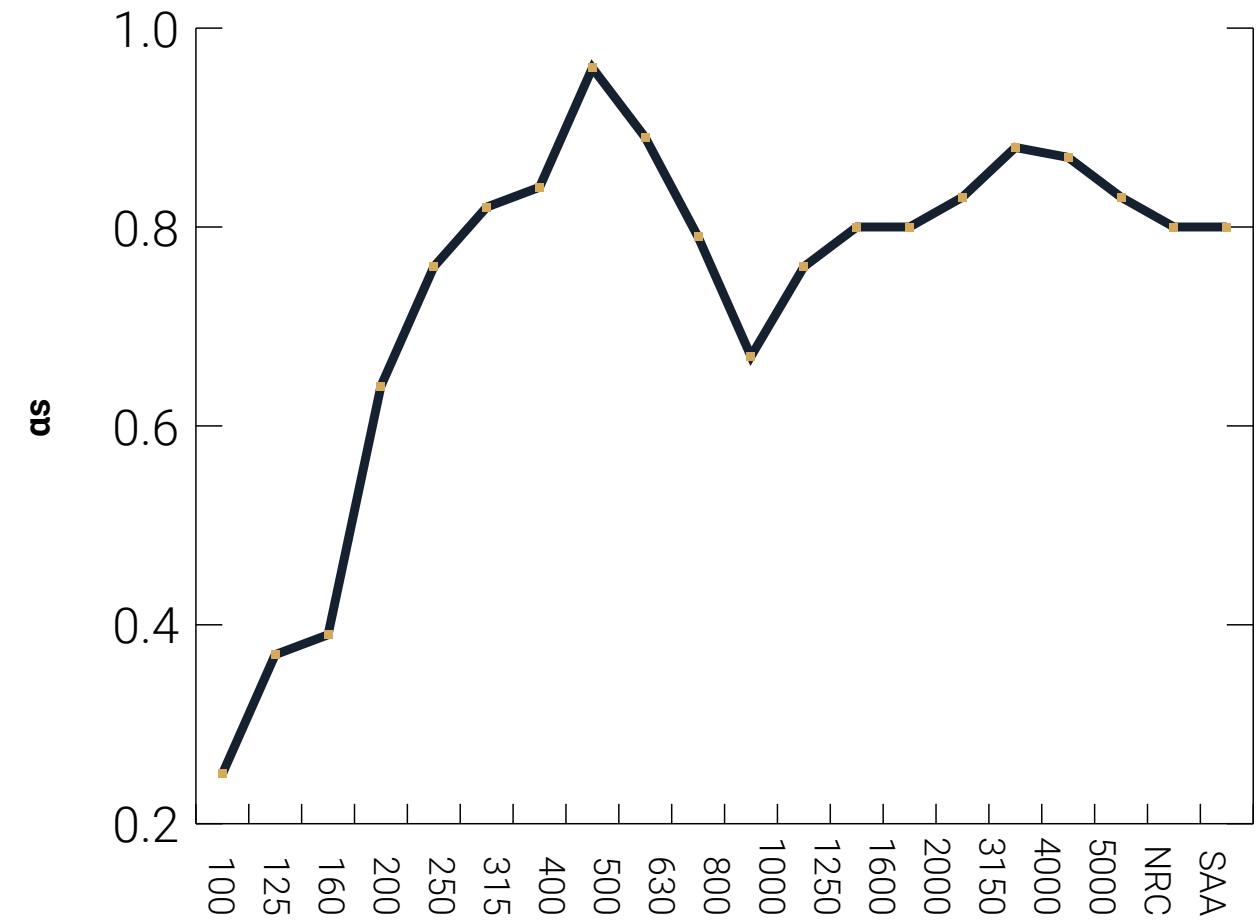
Volume of the reverberation room	Vs, m3	240	Installation Type:	E200
Room temperature	t1, °C	13	t2, °C	13
Relative humidity of test rooms	H1, %	70	H2, %	70

Sample description:

Sample Size (width*length), mm	1220*2440	Thickness, mm	9.0
Edge treatment	/	Mass, kg/m ²	2.05
Test Area, m ²	10.8		

intertek
Total Quality. Assured.

Frequency (Hz)	αs
100	0.25
125	0.37
160	0.39
200	0.64
250	0.76
315	0.82
400	0.84
500	0.96
630	0.89
800	0.79
1000	0.67
1250	0.76
1600	0.80
2000	0.80
2500	0.83
3150	0.88
4000	0.87
5000	0.83
NRC	0.80
SAA	0.80





info@onnitsystems.com

(801) 619-7044



*Visit our online form and
configuration system*