



BLOCK™

*Acoustic
Ceiling Baffle*



BLOCK™: Geometric Precision Meets Acoustic Power

Strong. Minimal. Architectural.

BLOCK ceiling baffles bring minimalist form and powerful function into perfect balance. With their clean, cubic profile and structured layout flexibility, BLOCK turns everyday ceilings into design-forward installations that absorb sound and enhance spatial rhythm. Each unit is crafted from high-performance PET felt to reduce echo,

soften ambient noise, and deliver consistent acoustic coverage. Whether arranged in grid-like patterns or staggered volumes, BLOCK brings clarity and dimension to lobbies, open offices, learning spaces, and other modern interiors.

Key Features

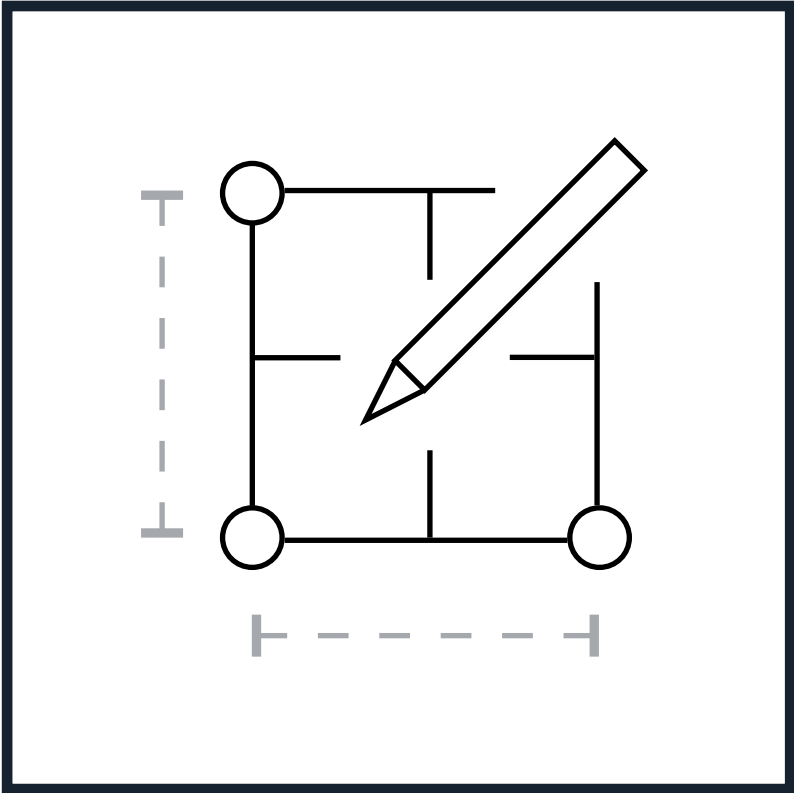
- Cubic geometry for bold, minimal visual impact
- Excellent sound absorption with NRC up to 1.00
- Modular and scalable layout options
- Straightforward suspended installation
- Compatible with lighting and HVAC layouts
- Available in ONNiT's full PET felt color palette
- Constructed with 60%+ recycled PET, recyclable
- ASTM E84 Class A fire-rated



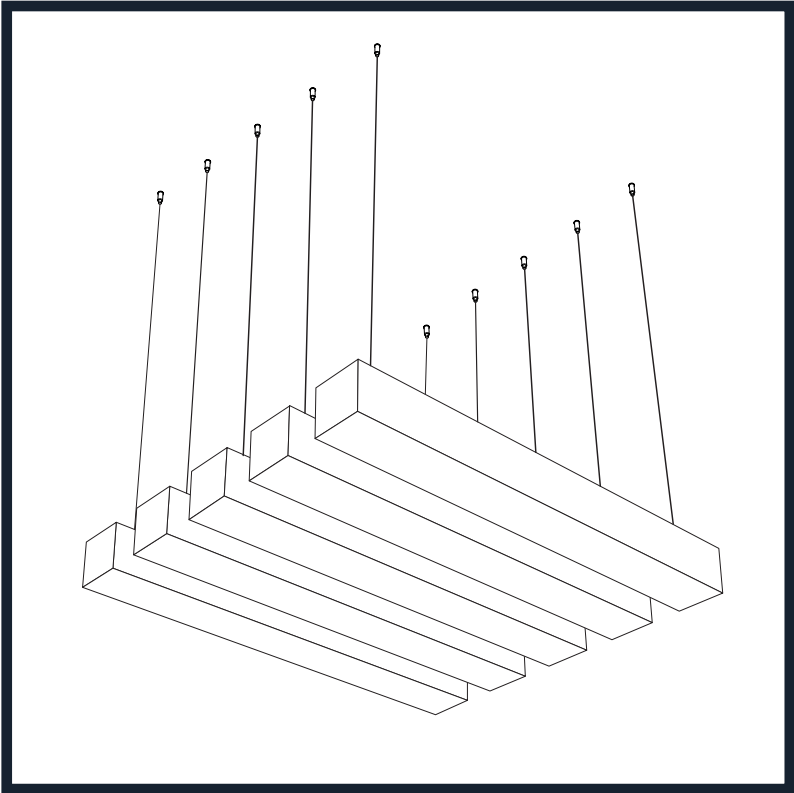
Design Your Space

- 1 Installation layout and quantity
- 2 Suspension height and spacing between units
- 3 Cable and bracket mounting preferences
- 4 Color selection and finish direction

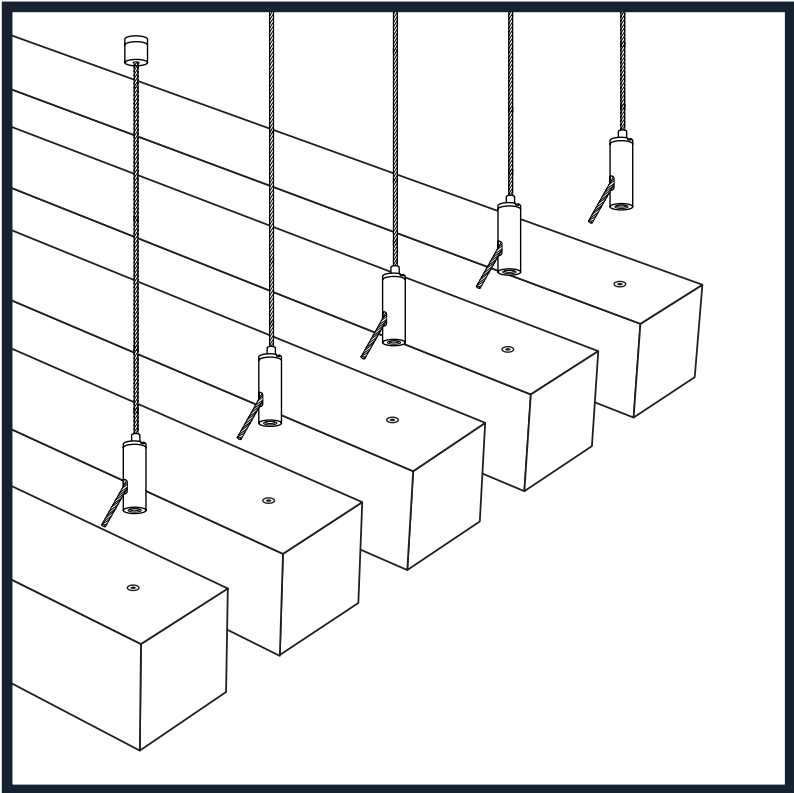
1.



2.



3.



4.



Design Your Layout – Precision in Form. Flexibility in Function.

BLOCK modules are designed for maximum layout adaptability. Use uniform alignment for clean repetition or staggered formations for visual movement and layered depth.

Work with Our Team

We collaborate on layout strategies that enhance your space's visual and acoustic needs, considering ceiling height, fixture placement, and coverage zones.

Got a Concept Already?

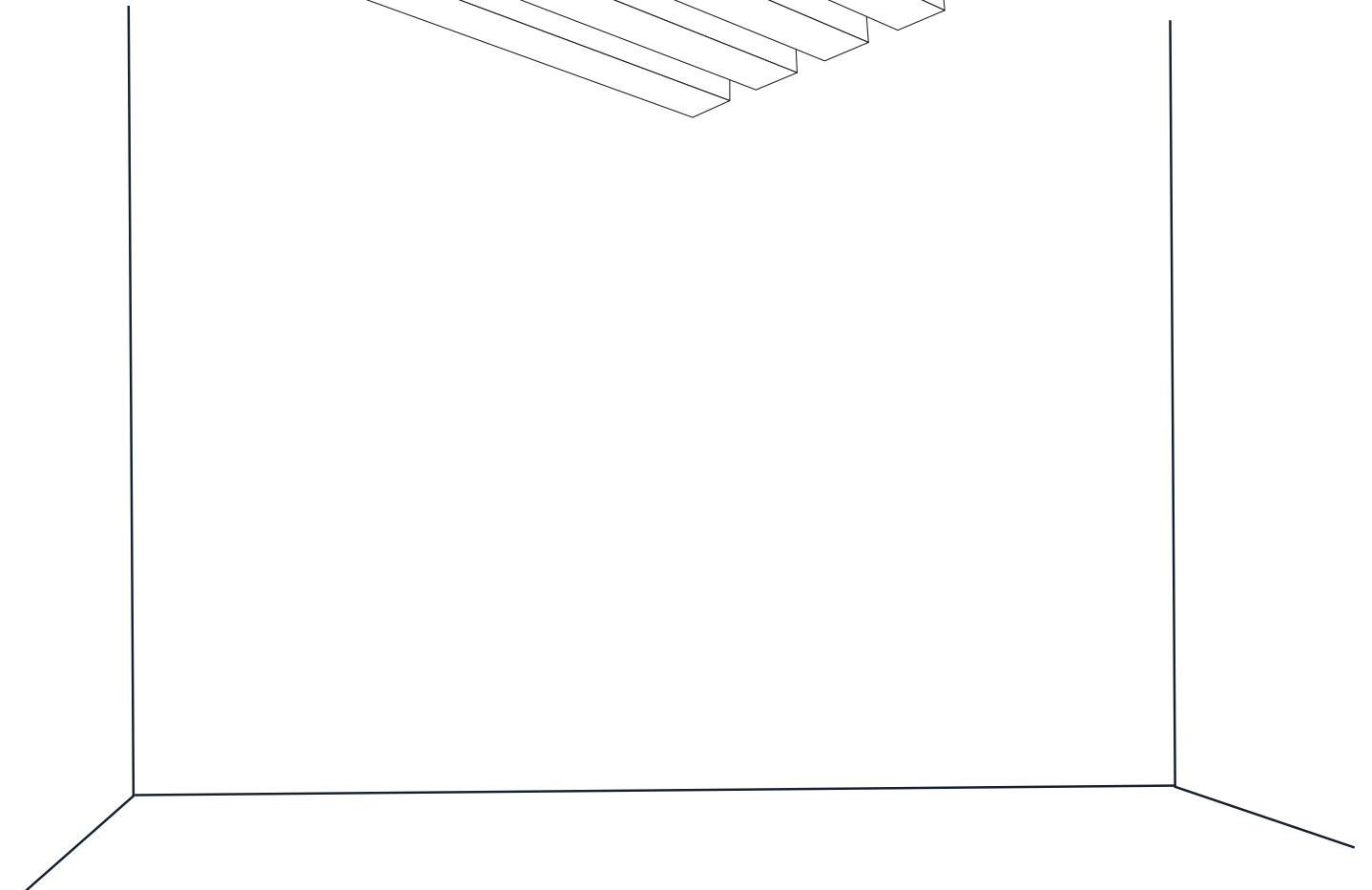
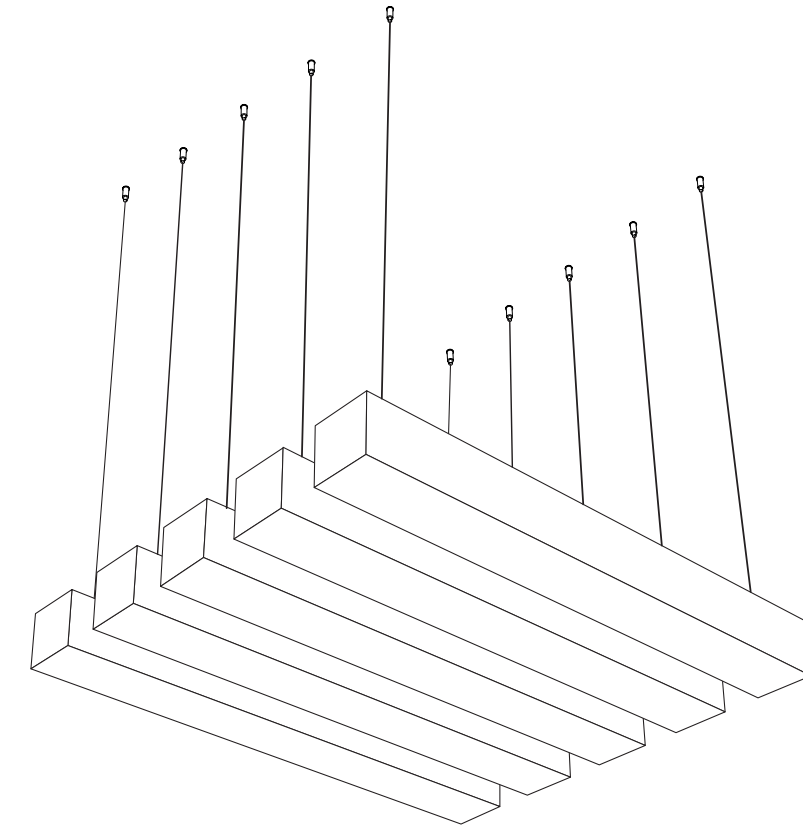
Send us your layout sketches or design references. We'll help provide a custom configuration including unit counts, spacing, mounting, and installation guides.

Design Considerations

- Ceiling height and room dimensions
- Desired coverage and acoustic goals
- Obstructions (sprinklers, lights, ductwork)
- Color palette and style preferences

Layout Styles

- **Tight Spacing:** Strong architectural presence
- **Moderate Spacing (6–12"):** Balanced aesthetics and acoustics
- **Staggered Depths:** Visual movement + improved diffusion



Mounting & Connections – Clean + Simple

BLOCK installs easily with minimal visual disruption using standard hardware.

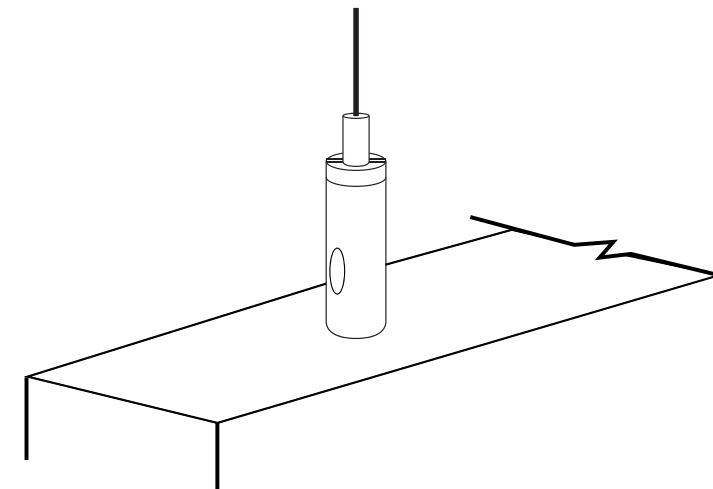
Mounting Options

- Adjustable aircraft cable suspension (standard)
- Rigid rod or bracket mounting (optional)
- Compatible with T-bar and open ceilings

Installation Notes

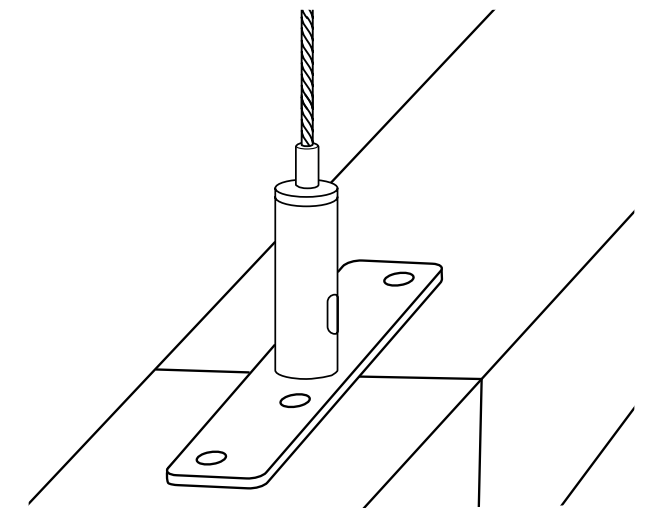
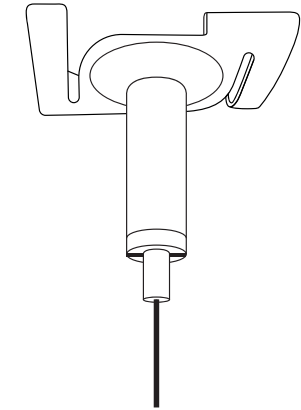
- Pre-labeled cable kits for precision
- Clearly marked mounting points
- Install guide available

Mounting Option A



Plank Attachment

Mounting Option B



Joiner Plate
Joiner Plate attachments available where
attaching the panels may be required

Color That Builds the Mood

BLOCK is available in over 30 standard ONNiT PET felt colors—from subdued architectural tones to bold accent shades.



Sea Salt



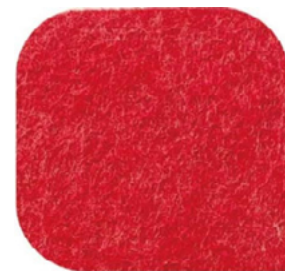
White Smoke



Silver Marble



Buckskin



Apple Red



Cranberry



Forest Green



Pacific Blue



Dark Buckskin



Sea Spray



Dark Marble



Coffee



Amethyst



Pear Green



Admiral Blue



Blue Jay



Arizona Sun



Elephant Grey



Aquatic Blue



Lime Green



Arctic Seal



Emerald Green



Azure



Night Blue



Orange Peel



Graphite



Shadow



Jet Black



Black Green



White Smoke



Baby Blue



Ash Grey

Need something more custom? Custom color matching available. Multi-color installations supported.

Dimensions and Specifications

ATTRIBUTE	DETAIL
Dimensions	4" W x 24" / 48" / 72" L x 4" T (custom sizes available)
Material	High-density PET felt (9mm)
Finish Options	ONNiT Standard Color Palette + custom
Mounting	Adjustable aircraft cable system
Weight	Approx. 1.0–1.3 lb per sq. ft.
NRC Rating	Up to 1.00 (layout-dependent)
Fire Rating	ASTM E84 Class A
Sustainability	75% recycled PET content, recyclable



Use Cases



Corporate lobbies & lounges



Library reading & study areas



Conference & huddle rooms



Commercial retail & hospitality ceilings



Open-plan offices & flex work zones

Sustainability + Compliance

- Made from 75% post-consumer recycled PET bottles
- Formaldehyde-free, low-VOC material
- OEKO-TEX® and GRS certified felt
- Supports LEED and WELL project credits





Acoustic Testing Data

- NRC values range from 0.65–1.00
- Independent testing (Intertek)
- Based on full-module and multi-module installations



info@onnitsystems.com

(801) 619-7044



*Visit our online form and
configuration system*